



Catalogue
CATERING
Chapter
OVENS

Model
 APE-101 400/230V 3N/3 50/60Hz

19011023

24/01/2019

ADVANCE PLUS OVEN, APE-101
 Innovative technology in the kitchen :

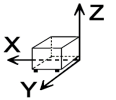
Professional quality
 - Precision, excellence and perfect results
 Save time and money

- Capacity for 10 1/1-GN trays.
- "Touch control" screen.
- 4 cooking methods: Steam, Adjustable Steam (Humidity control during cooking), Regeneration and Convection (up to 300°C).
- Preheating option.
- Fagor Easy cooking mode.
- Fagor Cooking, range of cooking programmes.
- Fagor Multi-Tray System, control cooking by tray.
- Delayed programming for: Cooking, Low-temperature cooking and Washing.
- Memory function: records the different cooking methods used.
- 3 Speeds - 2 power ranges.
- Cold-Down chamber cooling system.
- "Auto-reverse" system to reverse fan rotation.
- 5 wash programmes.
- Multisensor temperature probe.
- PC management software: History, recipes. HACCP, manuals...
- HACCP cooking data recording system.
- Steam generator equipped with limescale detector.
- Steam generator automatically empties every 24 hours of cooking.
- Semi-automatic limescale removal system.
- Error detection system.
- "Repair service" mode system.
- Quick door-closing system.
- IPX-5 protection.
- Retractable shower.
- Power: 19.2 kW.

- Accessories in option:
- Support SH-101, neutral cabinet, hot cabinet.
 - Structures for trays or dishes, trolley for structure
 - GN trays, grids, moulds...

DIMENSIONS

X Width	898 mm	X Gross width	980 mm
Y Depth	867 mm	Y Gross depth	1001 mm
Z Height	1117 mm	Z Gross height	1345 mm
Net Weight	172,0 kg	Gross Weight	204,0 kg
Net volume	0,870 m3	Gross volume	1,319 m3



ELECTRICITY TECHNICAL SPECIFICATIONS

Electric power	19,200 kW
Heating power	18,00 kW
Voltage	400/230V - 3N/3
Amperage	31/50
Electric frequency	50/60Hz

WATER TECHNICAL SPECIFICATIONS

Water max consumption	40,00 L/h
Pressure	H2O: 200-400kPa(2-4bar)

OTHERS

Noise level	60,00 dB
-------------	----------



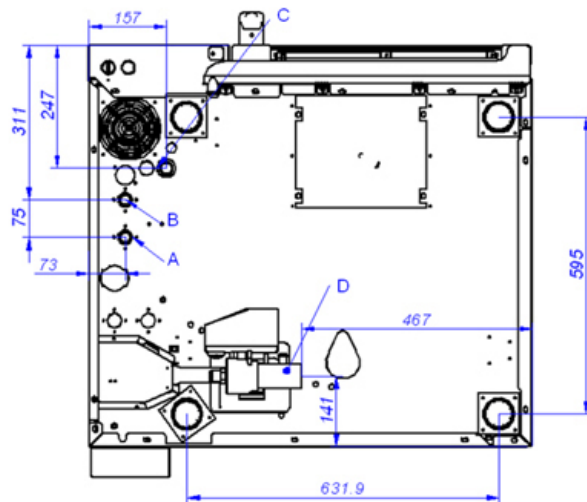
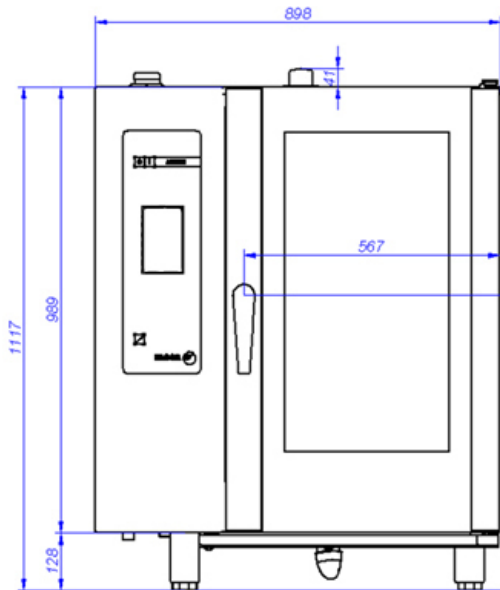
Catalogue
CATERING

Chapter
OVENS

Model
APE-101 400/230V 3N/3 50/60Hz

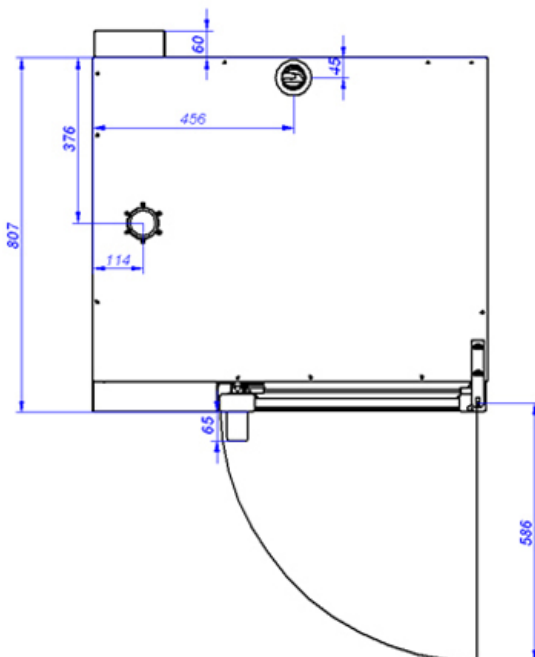
19011023

24/01/2019



APE-101

VISTA DE LA BASE DESDE LA PARTE INFERIOR
VIEW FROM THE BOTTOM OF THE MACHINE



A: Entrada de agua blanda
B: Entrada de agua dura
D: Desagüe

C: Alimentación eléctrica

A: Soft water inlet
B: Water inlet
D: Drain

C: Electrical connection