



SHELL ASSY

COOLING SYSTEM

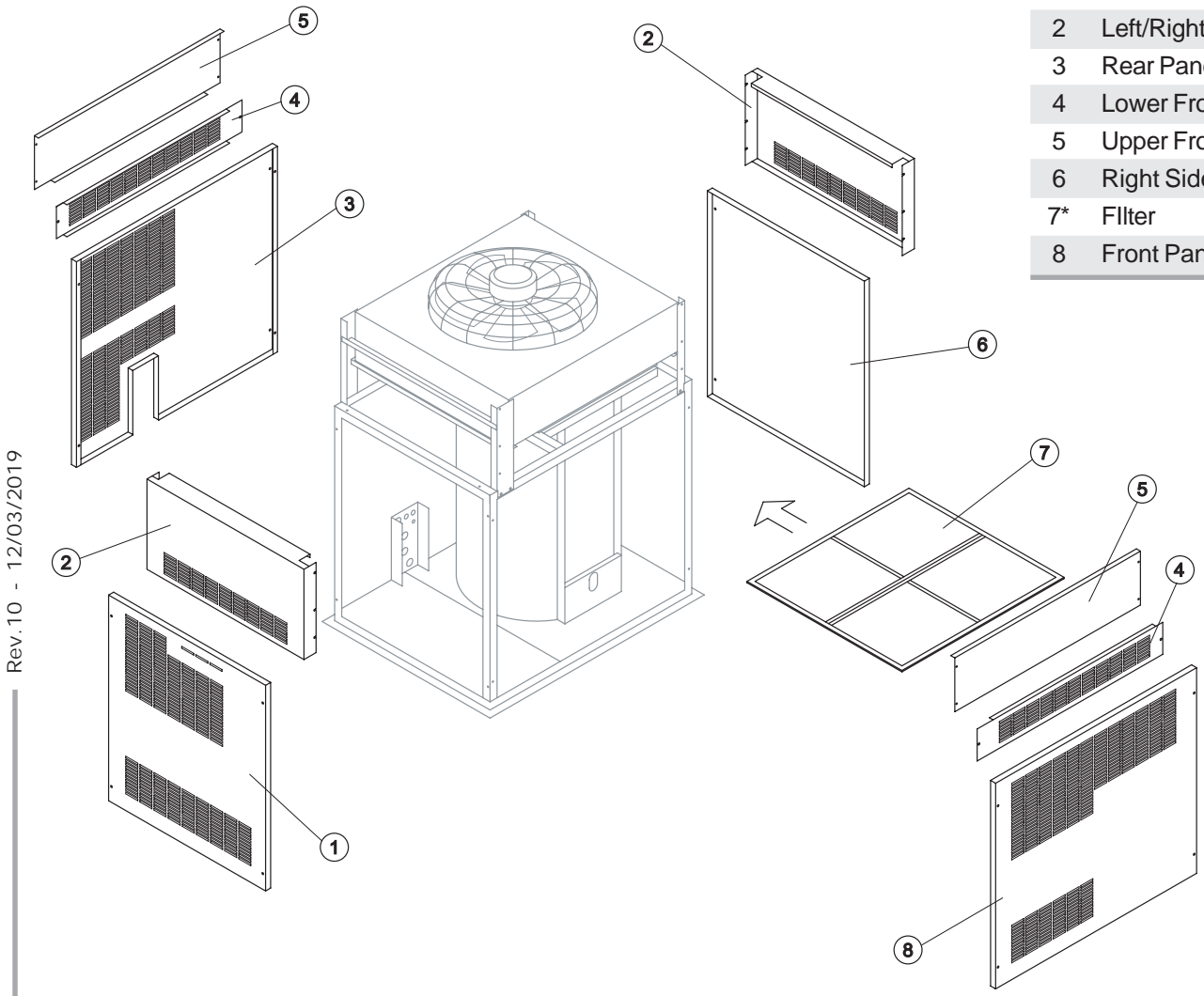
EVAPORATOR

PUMP

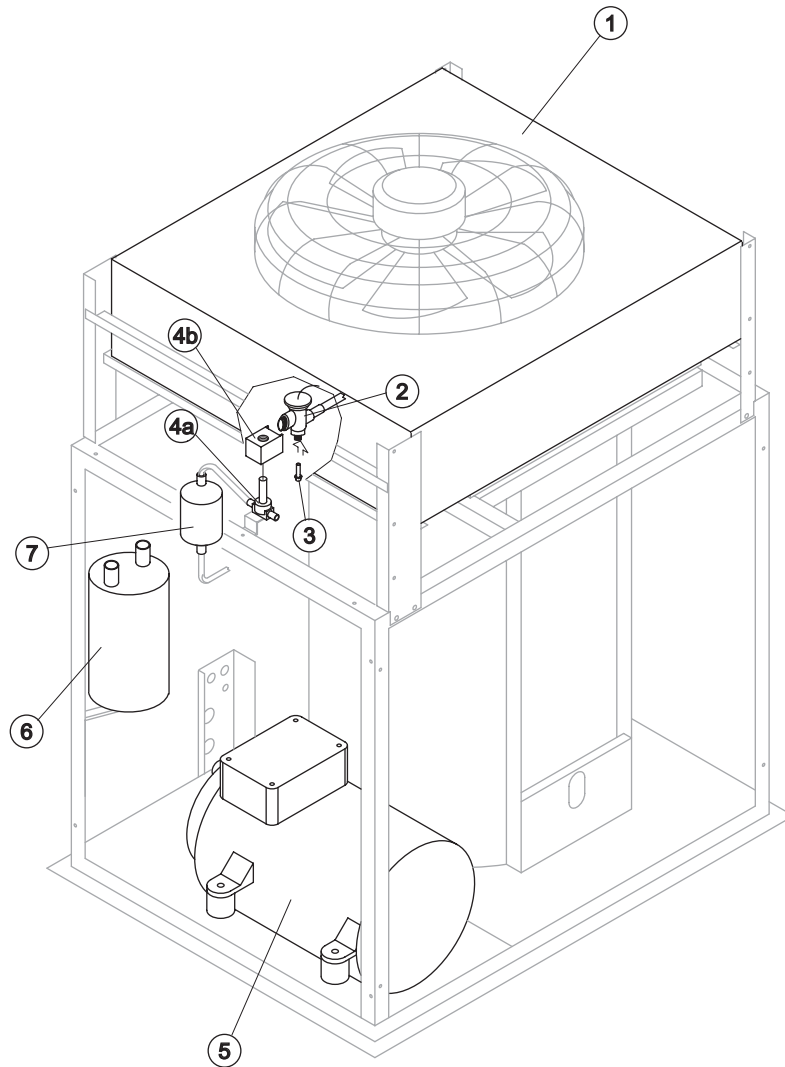
ELECTRIC PARTS



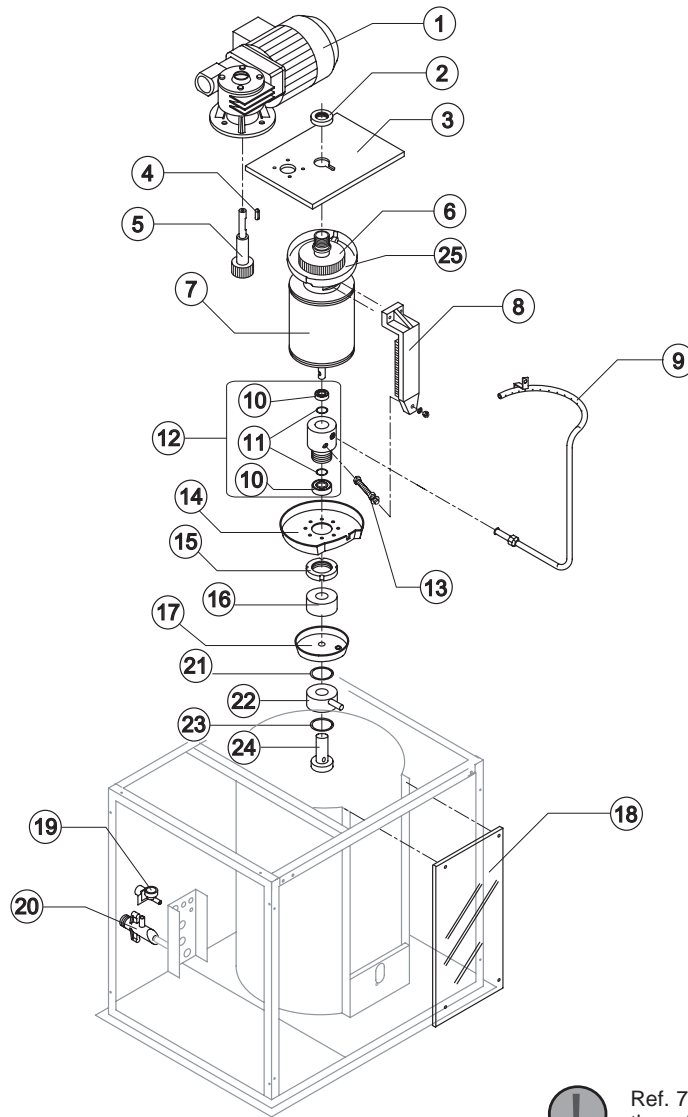
| Ref. | Spare Description | Code |
|------|----------------------------------|-------|
| 1 | Left Side Panel | 22025 |
| 2 | Left/Right Condenser Panel | 22030 |
| 3 | Rear Panel | 22045 |
| 4 | Lower Front/Rear Condenser Panel | 22028 |
| 5 | Upper Front/Rear Condenser Panel | 22029 |
| 6 | Right Side Panel | 22026 |
| 7* | Filter | 18191 |
| 8 | Front Panel | 22021 |



Rev.10 - 12/03/2019



| Ref. | Spare Description | Code |
|------|---------------------|-------------------------|
| 1 | Air Condenser | 20837 |
| 2 | Expansion Valve | 20826 |
| 3 | Orifice | Current Version 20946 |
| 3 | Orifice | Till s/n. 471749 20794 |
| 4a* | Solenoid Valve Body | 20409 |
| 4b* | Solenoid Valve Coil | 231294 |
| 5 | Compressor | Current version 23841 |
| 5 | Compressor | till s/n. 712983 231140 |
| 6 | Liquid Separator | 20805 |
| 7* | Solid Core Drier | 14255 |



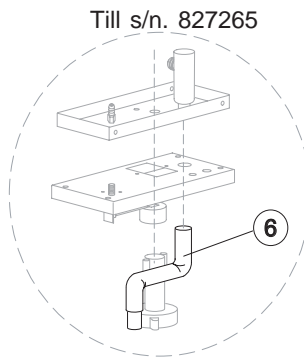
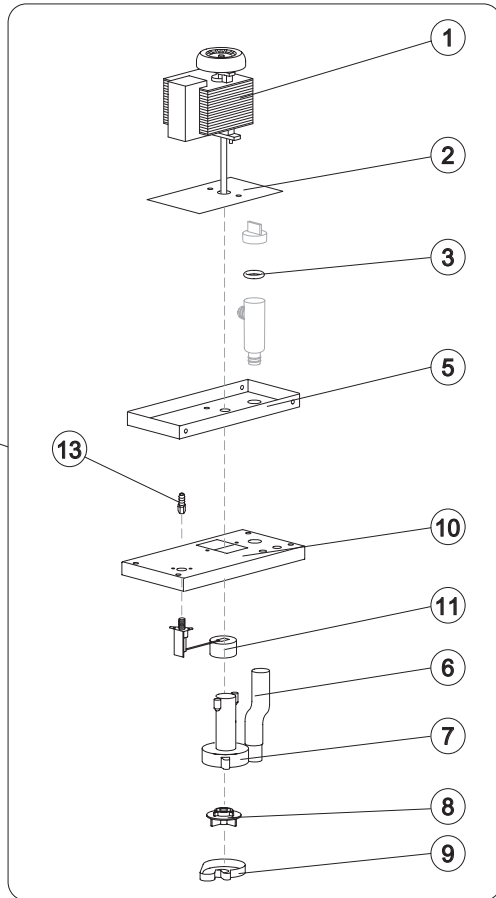
| Ref. | Spare Description | Code |
|------|---------------------------------|------------------------|
| 1 | Motor with Reduction Gear Assy | C23389 |
| 2 | Cylinder Locking Ring Nut | 20765 |
| 3 | Evaporator Support Plate | 20745 |
| 4 | Key 6x6x40 | 20350 |
| 5 | Pinion with Shaft for Gearmotor | 20789 |
| 6 | Ring Gear | 20763 |
| 7 | Evaporator | See Note C20776 |
| 8 | Scraper | 20768 |
| 9 | Sprayer Ring | C221178 |
| 10 | Stainless Steel Bearing | 20752 |
| 11 | Silicone OR 144 Gasket | 20750 |
| 12 | Complete Rotating Ring | C20773 |
| 13 | Tie Rod (to Block Scraper) | 20769 |
| 14 | Rotating Basin | 10443 |
| 15 | Ring Nut for Rotating Ring | 10469 |
| 16 | Spacer | 20767 |
| 17 | Fixed Basin | C10600 |
| 18 | Evaporator Chamber Shield | 10444 |
| 19 | 1 Way- Water Inlet Nipple | 10239 |
| 20 | Discharges Manifold | 10580 |
| 21 | Silicone Gasket | 13006 |
| 22 | Water Inlet Ring | 20774 |
| 23 | Polythene Gasket | 13070 |
| 24 | Screw | 20756 |
| 25 | Ring gear Cover | da matr. 565189 C10637 |



Ref. 7 - Evaporator Assembly (Code C20776) includes also the ref. 2 - 6 - 8 - 10 - 11 - 13 - 15 - 16 - 22 - 24.



| Ref. | Spare Description | Code | |
|------|-----------------------------|------------------|----------|
| 1 | Pump | 23600 | |
| 2 | Heat Dissipator | 22430 | |
| 3 | Pump Filter Gasket | 13080 | |
| 5 | Pump Motor Support | 10161 | |
| 6 | Pump-Filter Connection Pipe | Current Version | 13187100 |
| 6 | Pump-Filter Connection Pipe | Till s/n. 827265 | 13084 |
| 7 | Pump Body | 10065 | |
| 8 | Pump Impeller | 10066 | |
| 9 | Diffusor | 10067 | |
| 10 | Water Pump Basin Cover | 22420 | |
| 11* | Floating Valve | 10188 | |
| 13 | Connection | 20799 | |
| 14* | Pump and Filter Assy | 50 Hz | C26732 |
| 14* | Pump and Filter Assy | 60 Hz | C26745 |



Rev.10 - 12/03/2019



| Ref. | Spare Description | Code | |
|------|----------------------------------------|---------------------------------------|--------|
| 1 | Pressure Switch | 23763 | |
| 2 | Pressure Switch | 23342 | |
| 3* | Remote Electric Panel (optional) | C27263 | |
| 4* | Fan Motor with Grid | 23839 | |
| 5° | Saline Solution Dosing Pump (optional) | 23796 | |
| 7 | Thermal Protection | Fino a Matr. 715655 | C23528 |
| 8* | Contactora | Fino a Matr. 715655 | 23594 |
| 9 | Thermo-magnetic circuit breaker | Fino a Matr. 715655 | 23910 |
| 10* | Contactora | Fino a Matr. 715655 | 23398 |
| 11 | Voltage control relay | Fino a Matr. 715655 | 23903 |
| 12 | Microswitch for Overflow Ice | | 23746 |
| 13 | Electronic Delay Timer | Da Matr. 517546 - Fino a Matr. 715655 | 231033 |
| 14 | Thermo-magnetic circuit breaker 4P | | 231186 |
| 15 | Voltage control relay | | 23903 |
| 16 | Contactora | | 231188 |
| 17 | Contactora | | 231189 |
| 18 | Indicator Lamp (green) | | 231191 |
| 19 | Indicator Lamp (red) | | 231192 |
| 20 | Delayer | | 231190 |
| 21 | Residual Current Circuit Breaker | | 231187 |

Till s/n. 715655

