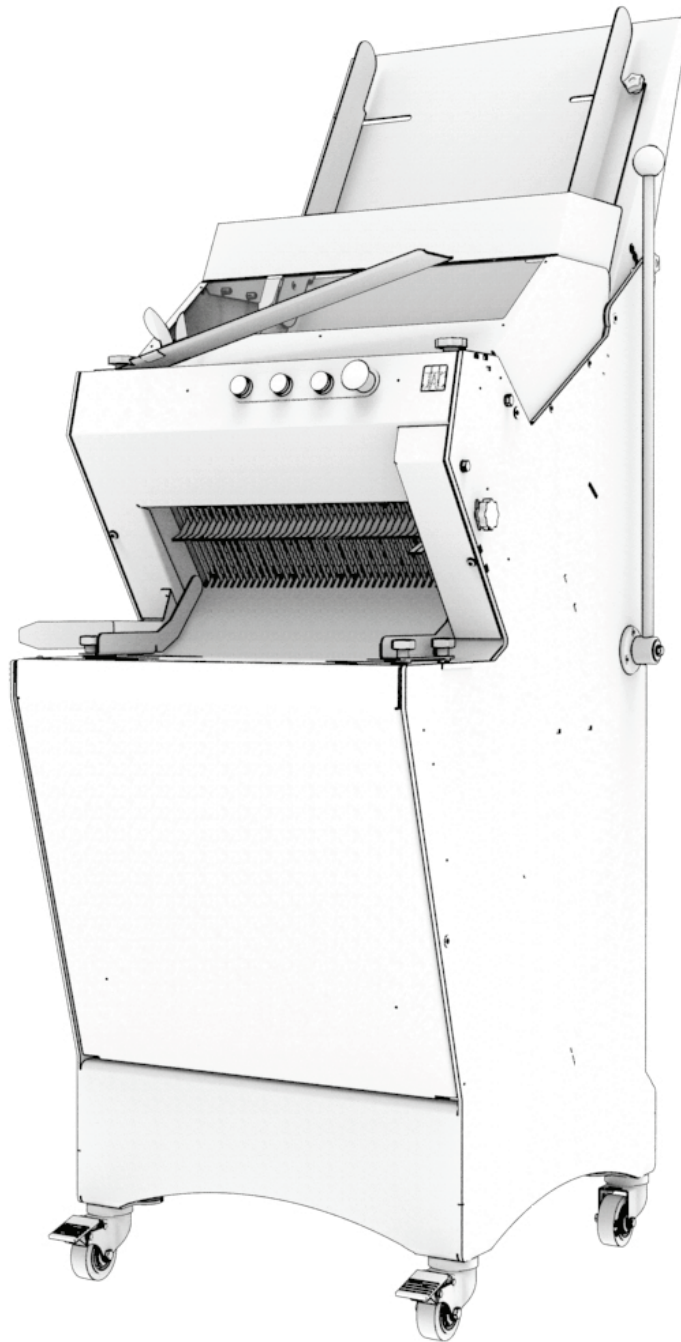




Traditionally Innovative

---

**CHUTE**



EN – FR – DE – NL – RU – ES – IT - AR

---

V01-01-2017



# CHUTE

EN- Translation of original user instructions	
Chute continuous cut slicer .....	5
FR- Notice d'utilisation originale	
Trancheuse à coupe continue Chute.....	17
DE- Übersetzung der Originalanleitung	
Schneidemaschine für den Dauerbetrieb Chute .....	29
NL- Vertaling van de originele gebruikershandleiding	
Broodsnijmachines voor continue werking Chute.....	41
RU. Перевод оригинального руководства по эксплуатации	
Хлеборезка с непрерывной нарезкой Chute .....	51
IT- Traduzione delle informazioni sull'utilizzo originali	
Taglierina a taglio continuo Chute.....	73
ES- Traducción del manual de uso original	
Cortadora de corte continuo Chute .....	63
فرنسي - ترجمة دليل الاستخدام الأصلي	
Chute اكينة قطع مستمر .....	83



<b>1</b>	<b>BEFORE COMMISSIONING</b> .....	<b>6</b>
<b>2</b>	<b>WARRANTY</b> .....	<b>6</b>
<b>3</b>	<b>WARNING</b> .....	<b>7</b>
<b>4</b>	<b>TECHNICAL SPECIFICATIONS</b> .....	<b>8</b>
4.1	Technical specifications .....	8
4.2	Details of materials in direct contact with the bread.....	8
<b>5</b>	<b>INSTALLATION AND COMMISSIONING</b> .....	<b>8</b>
5.1	Unpacking the machine: .....	8
5.2	Positioning: .....	9
5.3	Electrical connection: .....	9
5.4	Commissioning:.....	10
5.5	Danger: .....	10
<b>6</b>	<b>CONTROLS AND SAFETY FEATURES</b> .....	<b>10</b>
6.1	Controls:.....	10
6.2	Work area: .....	10
6.3	Safety features:.....	10
<b>7</b>	<b>OPERATION</b> .....	<b>11</b>
<b>8</b>	<b>MAINTENANCE</b> .....	<b>11</b>
8.1	Daily, by a trained operator. ....	11
8.2	Every 25,000 loaves and/or at least once a year, by an approved agent. ....	11
8.3	Blade replacement.....	12
<b>9</b>	<b>CONSUMABLES</b> .....	<b>13</b>
9.1	List of CONSUMABLES .....	13
<b>10</b>	<b>MALFUNCTIONS</b> .....	<b>14</b>
<b>11</b>	<b>LIST OF COMPONENTS IN ILLUSTRATIONS</b> .....	<b>15</b>

---

## 1 BEFORE COMMISSIONING

---

Thank you for choosing a JAC system. It is essential that you read these instructions before installing and commissioning this machine. This will protect you and avoid damaging your machine.

These instructions refer to various illustrations in order to make them easier to understand. These illustrations are at the end of the instructions. Please refer to them whenever you see the following symbols: (fig.X, n°Y).

**To ensure that your machine gives you full satisfaction over the coming years, we invite you to familiarise yourself with the following advice:**

- Enlist the help of your approved agent for installation, commissioning and service support.
- In order to be covered by the 5-year warranty (see terms and conditions set out below), please have your dealer fill in the service booklet when your machine is installed. The service booklet is at the back of your machine.

---

## 2 WARRANTY

---



**All JAC products are covered by a 5-year warranty.**

This warranty is valid for all parts on your machine, including electronic components but excluding consumables. The warranty takes effect on the date the equipment is installed.

**Subject to the following restrictive conditions:**

- Equipment acquired from an approved dealer;
- Installation carried out by an approved agent;
- Equipment used in accordance with the instructions for use and for the intended purpose for which it was manufactured;
- Equipment serviced on a daily basis in compliance with the instructions for use;
- Regular servicing by the approved agent in compliance with service specifications, with at least one service per year (servicing chargeable to the user).
- Exclusive use of genuine JAC parts.



**If there is no record of servicing by an approved agent and/or if the service booklet has not been filled in correctly, warranty cover will be limited to one year.**

**This warranty does not cover:**

- Replacement of consumables (§9);
- Parts not accepted as defective by our company;
- Problems due to improper use of the equipment;
- Problems due to installation not carried out by an approved agent;
- Parts or problems due to transit damage or improper handling.

**Repairing and/or replacing defective parts during the warranty period does not bring about an extension of said warranty.**

### 3 WARNING

---

It is most important that these user instructions be kept with the machine for future reference. Should this machine be sold or transferred to another user, please ensure that the user instructions are handed over so that the new user can be familiarised with its operation and the associated warnings.



**These warnings are given for your safety and that of others. We would therefore ask you to read them carefully before installing and using the machine.**

This machine has been designed for use by authorised adults. Please therefore ensure that children do not touch it or use it as a toy.

This machine is intended exclusively for professional use.

It is dangerous to modify or attempt to modify the specifications of this machine.

After having installed this machine, please ensure that it is not standing on the power cable.

Follow the instructions given for its use.

This machine must be stored and used in an indoor room, protected from moisture and heat.

This machine must be adequately illuminated to operate it.

The noise level of this machine does not exceed 75 dB(A) in accordance with EN ISO 3744.

This machine must be used by one person at a time (unless otherwise specified).

This machine is intended for slicing baked bread which has cooled down.



**This machine is not intended for the following breads and the following materials:**

- Warm bread, stale bread.
- Frozen or partially thawed bread.
- Wholemeal breads with a hard crust and other types of bread with a hard crust.
- Rye breads.
- Non-edible products such as wood, plastic and similar materials.
- Any food that is not included in the bread and loaf cake category.

**The machine may be damaged when cutting bread or materials for which the machine is not intended.**



**Always disconnect the mains supply before cleaning the machine inside/outside and when carrying out maintenance.**

This machine is heavy. Take all necessary safety precautions when handling it.

---

## 4 TECHNICAL SPECIFICATIONS

---

### 4.1 Technical specifications

	<b>Chute</b>
Height (mm)	1834
Width (mm)	654
Depth (mm)	907
Entry channel width (mm)	440
Entry channel height (mm)	140
Packaging (mm)	800 x 860 x 1900
Net weight (kg)	230
Net weight + packing (kg)	250
Motor power rating (kW)	0.49
Motor type	Single phase or three phase
220 V - 50 Hz (A)	5
380 V - 50 Hz (A)	3.2
Capacity (loaves/hour)	200<500
Noise level (dB)	<75

<b>Heavy duty motor</b>	optional
<b>Bagger-blower</b>	optional
<b>Special blades</b>	optional

### 4.2 Details of materials in direct contact with the bread.

**Loading ramp:** STAINLESS STEEL 430

**Last loaf pusher:** STAINLESS STEEL 430

**Loaf holder:** STAINLESS STEEL 430

**Blades:** Steel

**Outfeed table:** STAINLESS STEEL 430

---

## 5 INSTALLATION AND COMMISSIONING

---

### 5.1 Unpacking the machine:

Machines are delivered from our works on pallets, strapped and protected with cardboard. First of all, the packaging must be examined and any damage caused in transit must be declared directly to the carrier.

- A. Remove the cardboard and the packaging bag from the machine.
- B. Remove straps, taking particular care when they are released by cutting.
- C. Detach the machine from its pallet by removing the wooden battens wedging the castors.





- D. Take the machine off the pallet. Make sure you do this with at least two people in order to lower it as gently as possible onto the floor.
- E. Please fit the adjustable bagger stop to the bagger (LCS) (fig.11, n°30).

**After unpacking your machine, check that it has not been damaged in transit. Notify us of any defects.**

**5.2 Positioning:**

In order to achieve excellent performance and long-term reliability, choose a location that is:

Well ventilated, shielded from direct sunlight and away from sources of heat, with a flat and sturdy surface free from vibration.

**5.3 Electrical connection:**

**IMPORTANT:** This machine must be earthed.

It is recommended that the system be protected with a fuse and an RCD.

Your mains electricity supply to the machine must be protected as indicated below:

- North America: 15 A protection;
- Rest of the world: 16 A protection.

For machines equipped with a variable speed drive, it is imperative that they be connected to a junction box on a circuit fitted with a 300 mA RCD.

Note: Any problem resulting from any other type of connection will not be covered under warranty.

Before connecting your machine to the mains supply and in order to prevent the motor from burning out when it is switched on, it is important to check that the mains supply matches the machine specification (see machine nameplate).

This machine complies with Machinery Directives 2006/42, 2006/95, 2004/108 and is CE marked as proof of this.

Please familiarise yourself with the safety pictograms displayed on the machine:



This pictogram indicates a cut hazard. You will find it at the front of the machine around the loaf positioning area (fig.10, n°27).



This pictogram indicates an electrocution hazard. Please isolate the machine before carrying out any work on it. You will find it at the back of the machine close to the power cable and inside the machine on the electrical enclosure (fig.10, n°26).



This pictogram indicates a contact with a moving parts hazard. You will find it on the front door (fig.10, n°28).

You will find the circuit diagram for the machine on the back of the electrical enclosure door (fig.10, n°29).

#### **5.4 Commissioning:**

Before commissioning, ensure that there are no extraneous objects interfering with the machine's moving parts.

For machine operation, please refer to the "Operation" chapter.

#### **5.5 Danger:**

If the user or the machine is in danger, you must use the main isolator switch to cut the power supply to the machine (fig.4, n°24).

Remove the plug from the power socket before any maintenance and/or servicing work.  
Do not touch the blades, even if they are stationary (fig.2, n°18).

To replace the blades, have the work done by your approved dealer.

Be sure to wear cut-resistant gloves when replacing the blades or when working in the vicinity of the blades.

Any maintenance work or replacement of parts must be carried out by a qualified individual.

---

## **6 CONTROLS AND SAFETY FEATURES**

---

### **6.1 Controls:**

Your slicer is fitted with three buttons as standard:

A start button (fig.4, n°22), a stop button (fig.4, n°23) and an emergency stop button (fig.4, n°24).

It may be fitted with the following additional button as an option:

- blower start (on machines equipped with a blower) (fig.4, n°21).

### **6.2 Work area:**

The work area is at the front of the machine (fig.3, n°20).

### **6.3 Safety features:**

This machine is equipped with:

**An emergency stop that shuts down the machine when pressed** (fig.4, n°24).



---

## 7 OPERATION

---

Braked castors must be locked while the machine is in operation (fig.1, n°10).

**Switch on the power to the machine at the start of the day using the emergency stop (fig.4, n°24).**

### Operating procedure (fig.5,6)

- A. Set the ramp guides and set the outfeed table guide or guides using the thumbscrews to adjust them to the length of the loaves to be sliced.
- B. Set the loaf holder using the thumbscrew located on the right-hand side of the machine to adjust it to the height of the loaves to be sliced.
- C. Load the loaves onto the loading ramp.
- D. Press the green button to start the machine; gravity and the weight of the loaves loaded onto the ramp will push the loaves into the blades thus causing them to be cut.
- E. When the last loaf goes into the blades, operate the last loaf pusher lever to push it out of the blades and thus collect it sliced.
- F. Collect the loaves on the outfeed table.

OPTIONAL: Press the white button to operate the blower (fig.7).

At the end of the day, press the red **emergency stop** button (fig.4, n°24) to switch the power off to the machine.

**Tip:** Have a qualified individual check blade tension after the first few days of operation.

**Capacity:** Number of loaves sliced per hour: 500 (depending on the type of bread).  
Loaf size (L x H) (cm): min.: 22 x 6 - max.: 44 x 14

---

## 8 MAINTENANCE

---

### 8.1 Daily, by a trained operator.

- A. Check whether you need to empty the crumb tray.
- B. Clean the table and the ramp using a brush.
- C. Use a dry cloth to clean the inside.
- D. Use a damp cloth to clean the outside.

### 8.2 Every 25,000 loaves and/or at least once a year, by an approved agent.

- A. Remove the plug from the socket (fig.1, n°10).
- B. Check the condition of the cutting blades.
- C. If you notice a deterioration in cutting quality, the cutting blades must be replaced (JAC part number: 6100012 in the JAC Spare Parts catalogue).
- D. If the blades need to be replaced, do so in accordance with the blade replacement procedure (§8.3).
- E. NB: Do not overtighten the blades, as this risks distorting the frames.
- F. Sweep and vacuum the inside of the machine.
- G. Check bearing condition, then lubricate them.
- H. Lubricate the actuator joints.

Check that your approved agent has recorded his work in your service booklet in order to maintain your 5-year warranty cover.

### **8.3 Blade replacement.**

(fig.8,9)

Always wear cut-resistant gloves (EN 388:2003 version B= 5) and safety footwear when replacing blades or working in the vicinity of blades.

Having ensured that the plug on your machine has been disconnected from the mains (fig.1, n°10):

- A. Remove the 6 screws securing the top rear panel.
- B. Remove the two nuts securing the table clamp under the loading ramp from the inside of the machine.
- C. Remove the 4 screws securing the ramp guard and remove the ramp guard.
- D. Remove the 2 Allen screws and the two thumbscrews securing the front cover and the bagger.
- E. Open the cover and remove the 3 Allen screws securing the front table.
- F. Remove the front table.
- G. Remove screw **A** securing the front frame link.
- H. Lay the frame down forwards. Replace the blades on the rear frame (place something to protect yourself on the front frame blades). Remove the blade-tightening Allen screws **B**. Replace the blades, checking that they locate correctly in the swing arm pins. Retighten the blades by tightening screws **B**, with the blades remaining on the frame as a reference.

**In order not to distort the frame and avoid the risk of dangerous breakages, only replace 1 to 3 blades at a time alternating from left to right.**

Resume the procedure from point H for the front frame and refit the front frame and the cover components. When reassembling, check that the front table slides under the rear table at the blades.

Connect your machine to the mains supply; it is now ready.

Check that your approved agent has recorded his work in your service booklet in order to maintain your 5-year warranty cover.

---

## **9 CONSUMABLES**

---

When ordering spare parts, check with your approved agent which part is required based on the spare parts catalogue issued by the manufacturer.  
Always quote the machine serial number shown on the nameplate.  
Your agent will place the orders with JAC.

### **9.1 List of CONSUMABLES**

<b>ITEM CODE</b>	<b>DESCRIPTION</b>	<b>MODEL</b>
6110002	JAC KNIFE, 10 MM/0.5 MM	ALL
5740162	FRAME LINK WITH BEARINGS	ALL
5315013	GAS SPRING, 40 N	ALL
5310019	LOAF HOLDER SPRING	ALL
7240031	BELT	ALL

## 10 MALFUNCTIONS

Problem	Check
<b>The machine is not running</b>	Connect the machine using the cable (fig.2, n°18).
	Unlock the emergency stop (fig.1, n°10).
	Contact your approved agent if the green indicator light is flashing.
	Close the front door.
<b>The machine is running, but the loaves are damaged or cut unevenly</b>	Check whether the blades need replacing (§8.3).
	Leave the bread to cool down for a few hours.
	Feed in a loaf of the specified size.
	Feed in a loaf that is sufficiently firm. If the blades are misaligned, adjust the blades and frames.
<b>The bread vibrates between the blades</b>	If the blades are misaligned, adjust the blades and frames.
<b>The bread is cut too slowly</b>	Check whether the blades need replacing (§8.3).
<b>The bread tears</b>	If the blades are misaligned, adjust the blades and frames.
	Check whether the blades need replacing (§8.3).
	Contact your approved agent if the green indicator light is flashing.
<b>The bread emerges very slowly or remains between the blades</b>	Check that the last loaf pusher lever is operating correctly.
<b>The bread is squashed coming out of the blades</b>	Check that the last loaf pusher lever is operating correctly.

**WARNING:** The machine must be isolated from the power supply before attempting any work on it.



**Should the problem persist, please contact your technician.**

---

## 11 LIST OF COMPONENTS IN ILLUSTRATIONS

---

Figure	Item	Description
1	1	Loading ramp
	2	Loading ramp guard
	3	Bagger
	4	Control panel
	5	Cover
	6	Loaf holder
	7	Outfeed table
	8	Outfeed table guide
	9	Front door
	10	Braked castors
	11	Loading ramp guide
	12	Loaf pusher lever
	13	Cover thumbscrews
	14	Loaf holder setting thumbscrews
	15	Crumb tray
2	16	Top rear closure panel
	17	Bottom rear closure panel
	18	Power cable
	19	Loaf pusher
3	20	Work area
4	21	Blower button (optional)
	22	Start button
	23	Stop button
	24	Emergency stop button
7	25	Bagger-blower
10	26	"Electrocution hazard" sign
	27	"Cut hazard" sign
	28	"Contact with moving parts" sign
	29	Circuit diagram
11	30	Adjustable stop





<b>1</b>	<b>AVANT LA MISE EN SERVICE.....</b>	<b>18</b>
<b>2</b>	<b>GARANTIE.....</b>	<b>18</b>
<b>3</b>	<b>AVERTISSEMENTS .....</b>	<b>19</b>
<b>4</b>	<b>CARACTERISTIQUES TECHNIQUES.....</b>	<b>20</b>
4.1	Caractéristiques techniques.....	20
4.2	Détail des matériaux en contact direct avec le pain.....	20
<b>5</b>	<b>INSTALLATION ET MISE EN SERVICE.....</b>	<b>20</b>
5.1	Déconditionnement de la machine .....	20
5.2	Emplacement .....	21
5.3	Raccordement électrique.....	21
5.4	Mise en service .....	22
5.5	Danger .....	22
<b>6</b>	<b>ORGANE DE COMMANDE ET DE SECURITE .....</b>	<b>22</b>
6.1	Organe de commande.....	22
6.2	Zone de travail .....	22
6.3	Organes de sécurité .....	22
<b>7</b>	<b>UTILISATION.....</b>	<b>23</b>
<b>8</b>	<b>ENTRETIEN .....</b>	<b>23</b>
8.1	Journalier par un utilisateur formé .....	23
8.2	Toutes les 25 000 coupes et/ou 1 fois par an au minimum, par un agent agréé .....	23
8.3	Changement des lames.....	24
<b>9</b>	<b>CONSOMMABLES.....</b>	<b>25</b>
9.1	Liste des CONSOMMABLES.....	25
<b>10</b>	<b>INCIDENTS DE FONCTIONNEMENT .....</b>	<b>26</b>
<b>11</b>	<b>LISTE DES COMPOSANTS SUR LES FIGURES.....</b>	<b>27</b>

---

## 1 AVANT LA MISE EN SERVICE

---

Merci d'avoir choisi une solution JAC. Veuillez impérativement lire ce mode d'emploi avant d'installer et de mettre en service cette machine. Vous pourrez ainsi vous protéger et éviter de détériorer votre machine.

Cette notice fait référence à différentes figures afin de faciliter la compréhension des instructions. Ces figures se trouvent en fin de notice. Veuillez vous y référer dès que vous rencontrez les symboles suivants (fig.x, n°y).

**Pour que votre machine vous donne entière satisfaction au cours des prochaines années, nous vous invitons à prendre connaissance des conseils suivants :**

- Faites-vous aider par votre agent agréé pour l'installation, la mise en service et le suivi.
- Afin de pouvoir bénéficier de la garantie de 5 ans (voir conditions reprises ci-après), faites compléter le carnet d'entretien par votre distributeur lors de l'installation de votre machine. Ce carnet d'entretien se trouve à l'arrière de votre machine.

---

## 2 GARANTIE

---



**JAC offre une garantie de 5 ans sur tous ses produits.**

Cette garantie est valable sur toutes les pièces de votre machine, pièces électroniques incluses, hors consommables. La garantie prend effet à la date d'installation du matériel.

**Sous les conditions restrictives suivantes :**

- matériel acquis auprès d'un revendeur agréé ;
- installation effectuée par un agent agréé ;
- utilisation du matériel conformément aux indications du mode d'emploi et dans le but pour lequel il a été fabriqué ;
- matériel quotidiennement entretenu conformément aux indications du mode d'emploi ;
- entretiens suivis par l'agent agréé conformément aux spécifications d'entretien avec, au minimum, un entretien par an (entretien à charge de l'utilisateur) ;
- utilisation exclusive des pièces d'origine JAC.



**S'il n'y a pas de suivi d'entretien par un agent agréé et/ou que le carnet d'entretien n'est pas correctement complété, la garantie se limite à un an.**

**Cette garantie ne couvre pas :**

- le remplacement des consommables (§9) ;
- les pièces non reconnues défectueuses par nos services ;
- les problèmes résultant d'une utilisation anormale du matériel ;
- les problèmes résultant d'une installation non effectuée par un agent agréé ;
- les pièces ou les problèmes résultant d'un dégât de transport ou d'une manutention inappropriée.

**Une réparation et/ou un remplacement de pièces défectueuses effectué(es) durant la période de garantie n'a (n'ont) pas pour effet de prolonger ladite garantie.**

### 3 AVERTISSEMENTS

---

Il est très important que cette notice d'utilisation soit conservée avec l'appareil pour toute future consultation. Si cet appareil devait être vendu ou transféré à une autre personne, assurez-vous que la notice d'utilisation soit remise de façon à ce que l'utilisateur puisse être informé de son fonctionnement et des avertissements s'y rapportant.



**Ces avertissements sont donnés pour votre sécurité et pour celle d'autrui. Nous vous prions donc de bien vouloir les lire attentivement avant d'installer et d'utiliser l'appareil.**

Cette machine a été conçue pour être utilisée par des adultes autorisés. Veuillez donc à ce que les enfants n'y touchent pas ou qu'ils ne l'utilisent pas comme un jouet.

Cette machine est exclusivement réservée à un usage professionnel.

Il est dangereux de modifier ou d'essayer de modifier les caractéristiques de cette machine.

Après l'installation de cette machine, assurez-vous qu'elle ne repose pas sur le câble d'alimentation.

Suivez les instructions données pour l'utilisation.

Cette machine doit être stockée et utilisée à l'intérieur, dans un local à l'abri de l'humidité et de la chaleur.

Cette machine doit être suffisamment éclairée pour effectuer le travail.

Cette machine a un niveau sonore inférieur à 75 dB(A), suivant la norme EN ISO 3744.

Cette machine doit être utilisée par une seule personne à la fois (sauf prescription contraire).

Cette machine est destinée au tranchage de pains cuits et tempérés.



**Cette machine n'est pas destinée aux pains et matériaux suivants :**

- pains chauds, pains rassis ;
- pains congelés, ou partiellement décongelés ;
- pains complets avec une croûte dure et d'autres types de pain avec une croûte dure ;
- pains de seigle ;
- produits non comestibles comme le bois, le plastique et matériaux similaires ;
- tout aliment qui ne fait pas partie de la catégorie des pains ou des cakes.

**La machine peut être endommagée lors de la coupe de pains ou matériaux non autorisés.**



**Toujours débrancher la prise de courant avant de procéder au nettoyage intérieur/extérieur de l'appareil et aux opérations de maintenance.**

Cet appareil est lourd. Prenez toutes les précautions de sécurité lors de sa manutention.

---

## 4 CARACTERISTIQUES TECHNIQUES

---

### 4.1 Caractéristiques techniques

	<b>Chute</b>
Hauteur (mm)	1834
Largeur (mm)	654
Profondeur (mm)	907
Largeur du canal d'entrée (mm)	440
Hauteur du canal d'entrée (mm)	140
Colisage (mm)	800 x 860 x 1900
Poids net (kg)	230
Poids NET + emballage (kg)	250
Puissance moteur (kW)	0,49
Type moteur	Monophasé ou triphasé
220v - 50Hz (A)	5
380v - 50Hz (A)	3,2
Capacité (pains/heure)	200<500
Niveau sonore (dB)	<75

<b>Moteur renforcé</b>	option
<b>Souffleuse ensacheuse</b>	option
<b>Couteaux spéciaux</b>	option

### 4.2 Détail des matériaux en contact direct avec le pain

**Rampe de chargement** : INOX 430

**Pousse dernier pain** : INOX 430

**Presse-pains** : INOX 430

**Lames** : Acier

**Table de sortie** : INOX 430

---

## 5 INSTALLATION ET MISE EN SERVICE

---

### 5.1 Déconditionnement de la machine

Les machines sont livrées, sorties de nos ateliers, sur palettes, sanglées et protégées par du carton. Avant toute chose, l'emballage doit être observé et tout dommage dû au transport doit être déclaré directement au livreur.

F. Retirer le carton ainsi que le sachet d'emballage de la machine.

G. Enlever les sangles en faisant particulièrement attention à la détente de ces dernières lors de leur sectionnement.



- H. Désolidariser la machine de sa palette en enlevant les lattes de bois qui bloquent les roulettes.
- I. Descendre la machine de la palette. Veiller à faire cette manipulation à au moins deux personnes afin d'amortir au mieux le contact avec le sol.
- J. Mettre en place la butée réglable d'ensachoir sur l'ensachoir (LCS) (fig.11, n°30).

**Après déballage de la machine, vérifier qu'elle n'a pas subi de dommages pendant le transport. Nous signaler toute anomalie.**

## 5.2 Emplacement

Pour obtenir d'excellentes performances et une fiabilité à long terme, choisir un emplacement :

Bien ventilé, à l'abri du rayonnement solaire direct et éloigné des sources de chaleur, avec une surface plane et robuste exempte de vibrations.

## 5.3 Raccordement électrique

**IMPORTANT** : Mise à la terre obligatoire.

Il est conseillé de protéger l'installation avec un fusible et un disjoncteur différentiel.

Votre installation électrique alimentant la machine doit être protégée comme indiqué ci-dessous :

- Amérique du Nord : Protection 15A ;
- Reste du monde : Protection 16A.

Pour les machines équipées d'un variateur, celles-ci doivent être impérativement raccordées à une boîte de dérivation sur une ligne équipée d'un différentiel de 300mA.

Note : Tout problème résultant d'un autre type de raccordement ne sera pas pris en compte par la garantie.

Avant de connecter la machine au réseau et afin d'éviter une mise hors service du moteur à la mise sous tension, il est important de vérifier la concordance du réseau d'alimentation avec les caractéristiques de la machine (voir plaque signalétique de celle-ci).

Cet appareil est conforme aux Directives Machines 2006/42, 2006/95, 2004/108 et porte le marquage CE attestant cette conformité.

Veillez prendre connaissance des pictogrammes de sécurité figurant sur la machine :



Pictogramme signalant un risque de coupure. Vous le retrouverez à l'avant de la machine autour de la zone de dépose du pain (fig.10, n°27).



Pictogramme signalant un risque d'électrocution. Veuillez débrancher la machine avant toute intervention sur celle-ci. Vous retrouverez ce pictogramme à l'arrière de la machine à proximité du câble d'alimentation et à l'intérieur de la machine sur le coffret électrique (fig.10, n°26).



Pictogramme signalant un risque de contact avec la mécanique en mouvement. Vous le retrouverez sur la porte avant (fig.10, n°28).

Vous trouverez le schéma électrique de la machine sur le verso de la porte du coffret électrique (fig.10, n°29).

#### **5.4 Mise en service**

Avant la mise en service, s'assurer de l'absence de tout objet parasite sur les parties en mouvement de la machine.

Pour l'utilisation de la machine, se reporter au chapitre « Utilisation ».

#### **5.5 Danger**

En cas de danger pour l'utilisateur ou pour la machine, utiliser l'interrupteur général pour couper l'alimentation de la machine (fig.4, n°24).

Retirer la fiche de la prise électrique avant toute opération de maintenance et d'entretien.  
Ne pas toucher les lames, même à l'arrêt (fig.2, n°18).

Pour le changement des lames, faire faire l'opération par votre distributeur agréé.

Veiller à toujours porter des gants de protection anti-coupure lors du remplacement des lames ou lors d'une opération au voisinage des lames.

Toute opération de maintenance ou de remplacement de pièce doit être effectuée par une personne qualifiée.

---

## **6 ORGANE DE COMMANDE ET DE SECURITE**

---

### **6.1 Organe de commande**

Votre trancheuse est équipée de série de trois boutons :  
un bouton de mise en marche (fig.4, n°22), un bouton d'arrêt (fig.4, n°23) et un bouton d'arrêt d'urgence (fig.4, n°24).

Elle peut être équipée en option du bouton supplémentaire suivant :  
- démarrage souffleuse (sur machine équipée d'une souffleuse) (fig.4, n°21).

### **6.2 Zone de travail**

La zone de travail se situe devant la machine (fig.3, n°20).

### **6.3 Organes de sécurité**

Cette machine est équipée :

**D'un arrêt d'urgence qui stoppe la machine lorsqu'on l'actionne** (fig.4, n°24).

---

## 7 UTILISATION

---

Les roulettes pourvues d'un frein doivent être bloquées pour l'utilisation (fig.1, n°10).

**En début de journée, mettre la machine sous tension à l'aide de l'arrêt d'urgence (fig.4, n°24).**

### Procédure d'utilisation (fig.5, 6)

- G. Régler les guides de la rampe et régler le ou les guide(s) de la table de sortie à l'aide des molettes afin de les adapter à la longueur des pains à couper.
- H. Régler le presse-pains à l'aide de la molette située à droite de la machine afin de l'adapter à la hauteur des pains à couper.
- I. Charger les pains sur la rampe de chargement.
- J. Appuyer sur le bouton vert afin de mettre en marche la machine, la gravité et le poids des pains chargés sur la rampe vont pousser les pains dans les lames et ainsi provoquer leur coupe.
- K. Lorsque le dernier pain entre dans les lames, actionner le levier du pousse dernier pain pour le faire sortir des lames et ainsi le récupérer coupé.
- L. Récupérer les pains sur la table de sortie.

OPTION : Pour commander la souffeuse, appuyer sur le bouton blanc (fig.7).

En fin de journée, appuyer sur le bouton rouge **d'arrêt d'urgence** (fig.4, n°24) pour mettre la machine hors tension.

**Conseil** : Après les premiers jours de travail, faire contrôler la tension des lames par une personne qualifiée.

**Capacité** : Nombre de pains coupés par heure : 500 (en fonction du type de pain).  
Dimensions du pain (L x h) (cm) : min. 22 x 6 - max. 44 x 14.

---

## 8 ENTRETIEN

---

### 8.1 Journalier par un utilisateur formé

- E. Vérifier s'il ne faut pas vider le bac à miettes.
- F. Nettoyer la table et la rampe à l'aide d'une brosse.
- G. Utiliser un chiffon sec pour le nettoyage intérieur.
- H. Pour l'entretien extérieur, utiliser un chiffon humide.

### 8.2 Toutes les 25 000 coupes et/ou 1 fois par an au minimum, par un agent agréé

- I. Retirer la fiche de la prise (fig.1, n°10).
- J. Vérifier l'état des lames de coupe.
- K. Si une dépréciation de la qualité de la coupe est notée, il faut procéder au remplacement des lames de coupe (référence JAC : 6100012 du catalogue de Pièces de Rechange JAC).
- L. Si elles sont à changer, remplacer les lames conformément à la procédure de changement des lames de coupe (§8.3).
- M. NB : Ne pas tendre les lames à l'excès, au risque de déformer les cadres.
- N. Nettoyer à la brosse et aspirer l'intérieur de la machine.

- O. Vérifier l'état des roulements, ensuite graisser ceux-ci.
- P. Graisser les articulations du vérin.

Bien vérifier que votre agent agréé enregistre son intervention dans votre carnet d'entretien afin de conserver votre garantie de 5 ans.

### **8.3 Changement des lames**

(fig.8, 9)

Veiller à toujours porter des gants de protection anti-coupure (Norme EN 388 : 2003 indice B= 5) et des chaussures de sécurité lors du remplacement des lames ou lors d'une opération au voisinage des lames.

Après s'être assuré que la fiche de la machine était bien déconnectée du secteur (fig.1, n°10) :

- I. Dévisser les 6 vis qui maintiennent la tôle arrière supérieure.
- J. Dévisser les deux écrous qui maintiennent la pince de table sous la rampe de chargement par l'intérieur de la machine.
- K. Dévisser les 4 vis qui maintiennent la protection de rampe et ôter la protection de rampe.
- L. Dévisser les 2 vis 6 pans creux et les deux molettes qui maintiennent la coiffe avant ainsi que l'ensachoir.
- M. Ouvrir la coiffe et dévisser les 3 vis 6 pans creux qui maintiennent la table avant.
- N. Retirer la table avant.
- O. Dévisser la vis **A** qui maintient la biellette de cadre avant.
- P. Coucher le cadre vers l'avant. Remplacer les lames du cadre arrière (déposer de quoi se protéger sur les lames du cadre avant). Desserrer les vis **B** 6 pans creux qui tendent les lames. Remplacer les lames en contrôlant qu'elles soient bien placées dans l'ergot des balanciers. Retendre les lames en serrant les vis **B** avec, comme repère pour la tension, les lames restées sur le cadre.

**Afin de ne pas déformer le cadre et de ne pas risquer de casses dangereuses, ne remplacer que 1 à 3 lame(s) à la fois en alternant de gauche à droite.**

Recommencer la procédure du point H pour le cadre avant et remonter le cadre avant ainsi que les éléments d'habillage. Au remontage, bien vérifier de glisser la table avant sous la table arrière au niveau des lames.

Connecter la machine au réseau électrique, la machine est prête.

Bien vérifier que votre agent agréé enregistre son intervention dans votre carnet d'entretien afin de conserver votre garantie de 5 ans.



---

## 9 CONSOMMABLES

---

Lors d'une commande d'une pièce de rechange, vérifier avec votre agent agréé de quelle pièce il s'agit sur la base du catalogue de pièces de rechange émis par le fabricant.

Toujours préciser le numéro de machine comme indiqué sur la plaque signalétique.

Votre agent effectue les commandes auprès de JAC.

### 9.1 Liste des CONSOMMABLES

CODE ARTICLE	LIBELLE	MODELE
6110002	COUTEAU JAC 10MM/0,5MM	TOUTES
5740162	BIELLETTE DE CADRE AVEC ROULEMENTS	TOUTES
5315013	RESSORT A GAZ 40N	TOUTES
5310019	RESSORT PRESSE-PAIN	TOUTES
7240031	COURROIE	TOUTES

<b>Problème</b>	<b>Vérification</b>
<b>La machine ne tourne pas</b>	Brancher la machine à l'aide du câble (fig.2, n°18)
	Déverrouiller l'arrêt d'urgence (fig.1, n°10)
	Contactez votre agent agréé si le voyant vert clignote
	Fermer la porte avant
<b>La machine fonctionne, mais les pains sont endommagés ou coupés de manière irrégulière</b>	Vérifier s'il ne faut pas remplacer les lames (§8.3)
	Laisser le pain refroidir quelques heures
	Introduire un pain aux dimensions acceptées
	Introduire un pain assez ferme
	Si les lames sont désalignées, régler les lames et les cadres
<b>Le pain vibre dans les lames</b>	Si les lames sont désalignées, régler les lames et les cadres
<b>Le pain se coupe trop lentement</b>	Vérifier s'il ne faut pas remplacer les lames (§8.3)
<b>Le pain se déchire</b>	Si les lames sont désalignées, régler les lames et les cadres
	Vérifier s'il ne faut pas remplacer les lames (§8.3)
	Contactez votre agent agréé si le voyant vert clignote
<b>Le pain sort très lentement ou reste dans les lames</b>	Vérifier que le levier pousse dernier pain est bien actionné
<b>Le pain est écrasé en sortie des lames</b>	Vérifier que le levier pousse dernier pain est bien actionné

**ATTENTION** : La machine doit obligatoirement être mise hors tension pour toute intervention.



**Si le problème persiste, veuillez contacter votre technicien.**

## 11 LISTE DES COMPOSANTS SUR LES FIGURES

Figure	Bulle	Nom
1	1	Rampe de chargement
	2	Protection de rampe de chargement
	3	Ensachoir
	4	Panneau de commande
	5	Coiffe
	6	Presse-pains
	7	Table de sortie
	8	Guide de la table de sortie
	9	Porte avant
	10	Roulettes freinées
	11	Guide de la rampe de chargement
	12	Levier de pousse-pains
	13	Molettes de coiffe
	14	Molette de réglage du presse-pains
	15	Bac à mies
2	16	Tôle de fermeture arrière supérieure
	17	Tôle de fermeture arrière inférieure
	18	Câble d'alimentation
	19	Pousse-pains
3	20	Zone de travail
4	21	Bouton de souffleuse (option)
	22	Bouton de démarrage
	23	Bouton d'arrêt
	24	Bouton d'arrêt d'urgence
7	25	Souffleuse ensacheuse
10	26	Signalétique « risque d'électrocution »
	27	Signalétique « risque de coupure »
	28	Signalétique « contact mécanique »
	29	Schéma électrique
11	30	Butée réglable



<b>1</b>	<b>VOR DER INBETRIEBNAHME .....</b>	<b>30</b>
<b>2</b>	<b>GARANTIE.....</b>	<b>30</b>
<b>3</b>	<b>WARNHINWEISE .....</b>	<b>31</b>
<b>4</b>	<b>TECHNISCHE DATEN.....</b>	<b>32</b>
4.1	Technische Daten .....	32
4.2	Materialien, die in Kontakt mit dem Brot kommen .....	32
<b>5</b>	<b>INSTALLATION UND INBETRIEBNAHME.....</b>	<b>33</b>
5.1	Auspacken der Maschine: .....	33
5.2	Aufstellung:.....	33
5.3	Anschluss an die Stromversorgung:.....	33
5.4	Inbetriebnahme:.....	34
5.5	Gefahr: .....	34
<b>6</b>	<b>BEDIENELEMENT UND SICHERHEITSVORRICHTUNG.....</b>	<b>35</b>
6.1	Bedienelement: .....	35
6.2	Arbeitsbereich: .....	35
6.3	Sicherheitseinrichtungen: .....	35
<b>7</b>	<b>BEDIENUNG.....</b>	<b>35</b>
<b>8</b>	<b>WARTUNG.....</b>	<b>36</b>
8.1	Taglich durch einen eingewiesenen Bediener:.....	36
8.2	Nach 25.000 Schnitten und/oder mindestens ein Mal jahrlich durch einen zugelassenen Vertreter: .....	36
8.3	Austausch der Messer .....	36
<b>9</b>	<b>ERSATZTEILE.....</b>	<b>37</b>
9.1	ERSATZTEILLISTE .....	37
<b>10</b>	<b>STORUNGEN UND FEHLER.....</b>	<b>38</b>
<b>11</b>	<b>LISTE DER ABGEBILDETEN TEILE UND FUNKTIONEN .....</b>	<b>39</b>

---

## 1 VOR DER INBETRIEBNAHME

---

Vielen Dank, dass Sie sich für ein Gerät von JAC entschieden haben. Bitte lesen Sie diese Bedienungsanleitung vor der Installation und Inbetriebnahme dieser Maschine aufmerksam durch. Dies dient zu Ihrer Sicherheit und zum Schutz der Maschine vor Schäden.

Diese Bedienungsanleitung enthält Verweise auf verschiedene Abbildungen, die das Verständnis der Anleitungen erleichtern. Die Abbildungen befinden sich am Schluss der Bedienungsanleitung. Bitte schlagen Sie die jeweilige Abbildung anhand des angegebenen Verweises (Fig. X, Nr. Y) nach.

**Damit Sie sich viele Jahre an dieser Maschine erfreuen können, möchten wir Sie bitten, die folgenden Hinweise zu berücksichtigen:**

- Lassen Sie sich bei der Installation, der Inbetriebnahme und der weiteren Nutzung von Ihrem zugelassenen Vertreter unterstützen.

- Um die Garantie von fünf Jahren (siehe nachfolgende Garantiebestimmungen) in Anspruch nehmen zu können, lassen Sie bitte von Ihrem Vertriebshändler bei der Installation Ihrer Maschine das Wartungsheft ausfüllen. Das Wartungsheft befindet sich an der Rückseite Ihrer Maschine.

---

## 2 GARANTIE

---



**JAC bietet auf alle seine Produkte eine Garantie von fünf Jahren.**

Diese Garantie erstreckt sich auf alle Teile Ihrer Maschine, auch auf die elektronischen Bauteile, außer Verschleißteile. Die Garantiefrist beginnt zum Zeitpunkt der Installation der Anlage.

**Es gelten die folgenden Beschränkungen:**

- Das Produkt wurde bei einem zugelassenen Vertragshändler erworben.
- Die Installation wurde von einem zugelassenen Vertreter vorgenommen.
- Das Produkt wurde im Rahmen seines bestimmungsgemäßen Gebrauchs und entsprechend der Bedienungsanleitung verwendet.
- Das Produkt wurde täglich entsprechend den Vorgaben der Bedienungsanleitung instandgehalten.
- Die Wartung wird durch einen zugelassenen Vertreter entsprechend den Wartungsvorgaben durchgeführt und findet mindestens einmal jährlich statt (auf Kosten des Anwenders).
- Es werden ausschließlich Originalersatzteile von JAC verwendet.



**Sofern keine Wartung durch einen zugelassenen Vertreter erfolgt bzw. das Wartungsheft nicht ordnungsgemäß ausgefüllt ist, ist die Garantie auf ein Jahr begrenzt.**

**Diese Garantie deckt nicht:**

- den Ersatz von Verschleißteilen (siehe Abschnitt 9);
- Teile, die unser Kundendienst nicht als defekt anerkennt;

- Probleme, die sich aus einer ungewöhnlichen Nutzung des Produktes ergeben;
- Probleme, die darauf zurückzuführen sind, dass die Installation nicht durch einen zugelassenen Vertreter durchgeführt wurde;
- Beschädigungen oder Probleme, die auf einen Transportschaden oder auf die unsachgemäße Handhabung des Produktes zurückzuführen sind.

**Die Durchführung einer Reparatur und/oder der Ersatz defekter Teile während der Garantiefrist führen nicht zur Verlängerung der Garantiefrist.**

---

### 3 WARNHINWEISE

---

Bitte bewahren Sie diese Bedienungsanleitung unbedingt mit Ihrem Gerät zum späteren Nachlesen auf. Bei Verkauf oder Weitergabe Ihres Gerätes übergeben Sie bitte diese Bedienungsanleitung an den neuen Besitzer bzw. Benutzer, damit dieser über die Funktionsweise des Gerätes und die Warnhinweise informiert ist und diese befolgen kann.



**Diese Warnhinweise dienen zu Ihrer Sicherheit und der Sicherheit anderer. Bitte lesen Sie die Warnhinweise vor der Installation und Verwendung Ihres Gerätes aufmerksam durch.**

Diese Maschine ist für die Verwendung durch befugte erwachsene Personen bestimmt. Stellen Sie sicher, dass die Maschine nicht von Kindern berührt oder als Spielzeug benutzt wird.

Diese Maschine ist ausschließlich für den professionellen Einsatz vorgesehen.

Eine Modifizierung bzw. versuchte Modifizierung der Eigenschaften und Merkmale dieser Maschine ist gefährlich.

Stellen Sie nach der Installation dieser Maschine sicher, dass diese nicht auf dem Netzkabel steht.

Befolgen Sie stets die Anleitungen zur Bedienung und Verwendung.

Die Maschine ist in einem Innenraum und gegen Feuchtigkeit und Hitze geschützt aufzustellen.

Die Maschine muss zur Durchführung der Arbeiten ausreichend ausgeleuchtet sein.

Der Geräuschpegel der Maschine liegt unter 75 dB(A) und entspricht damit der EN ISO 3744.

Die Maschine darf nicht von mehreren Personen gleichzeitig benutzt werden (es sei denn, die Anleitung gibt etwas Anderes vor).

Die Maschine dient zum Schneiden abgekühlter Brotlaibe.



**Diese Maschine darf nicht zum Schneiden der folgenden Brote, Artikel und Materialien verwendet werden:**

- Warmes Brot, altbackenes Brot
- Gefrorenes oder halb aufgetautes Brot
- Vollwertbrot mit harter Kruste und andere Brotsorten mit harter Kruste

- Roggenbrot
- Ungenießbare Produkte wie Holz, Kunststoff oder Ähnliches
- Lebensmittel, die nicht zur Gruppe der Backwaren (speziell Brote und Kuchen) gehören.

**Die Verwendung der Maschine zum Schneiden nicht zulässiger Brote, Artikel und Materialien kann zur Beschädigung der Maschine führen.**



**Vor Reinigungsarbeiten innen und außen am Gerät und vor Wartungsarbeiten immer den Netzstecker ziehen.**

Dieses Gerät ist sehr schwer. Beim Transport und Bewegen des Gerätes sind angemessene Vorsichtsmaßnahmen zu ergreifen.

---

## 4 TECHNISCHE DATEN

---

### 4.1 Technische Daten

	<b>Chute</b>
Höhe (mm)	1834
Breite (mm)	654
Tiefe (mm)	907
Breite der Schneidkammer (mm)	440
Höhe der Schneidkammer (mm)	140
Verpackungsmaße (mm)	800 x 860 x 1900
Nettogewicht (kg)	230
Nettogewicht + Verpackung (kg)	250
Motorleistung (kW)	0,49
Motortyp	Einphasig oder dreiphasig
220 V - 50 Hz (A)	5
380 V - 50 Hz (A)	3,2
Kapazität (Brote/Stunde)	200<500
Geräuschpegel (dB)	<75

<b>Verstärkter Motor</b>	Option
<b>Beutelgebläse</b>	Option
<b>Spezialmesser</b>	Option

### 4.2 Materialien, die in Kontakt mit dem Brot kommen

**Aufgaberampe** EDELSTAHL 430

**Schieber für das letzte Brot:** EDELSTAHL 430

**Brotpresse:** EDELSTAHL 430

**Messer:** Stahl

**Austragstisch:** EDELSTAHL 430





---

## 5 **INSTALLATION UND INBETRIEBNAHME**

---

### 5.1 **Auspacken der Maschine:**

Unsere Maschinen werden zur Lieferung ab Werk auf Paletten verpackt, mit Umreifungsbändern gesichert und mit einer Kartonverpackung geschützt. Prüfen Sie die Verpackung bei Erhalt auf Beschädigungen und teilen Sie dem Spediteur etwaige Transportschäden direkt mit.

- A. Entfernen Sie die Kartonverpackung und die Folie von der Maschine.
- B. Entfernen Sie die Umreifungsbänder und bedenken Sie dabei, dass diese beim Durchschneiden aufspringen.
- C. Lösen Sie die Maschine durch Entfernen der Holzleisten, welche die Räder sichern, von der Palette.
- D. Heben Sie die Maschine von der Palette. Dies muss durch mindestens zwei Personen erfolgen, so dass die Maschine möglichst sicher auf dem Boden abgesetzt werden kann.
- E. Den einstellbaren Anschlag der Brotablage auf der Brotablage (LCS) einrichten (Fig. 11, Nr. 30)

**Die Maschine nach dem Auspacken auf Transportschäden überprüfen. Melden Sie uns bitte alle Fehler und Schäden.**

### 5.2 **Aufstellung:**

Um eine hohe Leistung, eine lange Lebensdauer und einen zuverlässigen Betrieb sicherzustellen, sollte der Aufstellort wie folgt beschaffen sein:

Gut belüftet, vor direkter Sonneneinstrahlung geschützt, in ausreichender Entfernung zu Wärmequellen, mit ebenem, tragfähigen und schwingungsfreien Boden.

### 5.3 **Anschluss an die Stromversorgung:**

**WICHTIG:** Die Erdung der Maschine ist vorgeschrieben.

Wir empfehlen den Schutz der Anlage durch eine Sicherung und einen FI-Schutzschalter.

Ihr Stromnetz zur Versorgung der Maschine muss folgendermaßen geschützt werden:

- Nordamerika: Schutz 15 A;
- Rest der Welt: Schutz 16 A.

Maschinen mit Stromrichter müssen zwingend über einen FI-Schutzschalter für 300 mA angeschlossen werden.

Hinweis: Probleme und Störungen, die sich durch abweichende Ausführung des Anschlusses ergeben, sind nicht durch die Garantie gedeckt.

Prüfen Sie vor dem Anschließen der Maschine an das Stromnetz unbedingt, ob die Stromversorgung für die Maschine geeignet ist (siehe Angaben auf dem Typenschild), um einen Motorausfall beim Einschalten zu vermeiden.

Dieses Gerät entspricht den Maschinenrichtlinien 2006/42, 2006/95, 2004/108 und ist daher mit dem CE-Zeichen gekennzeichnet.

Bitte beachten Sie die an der Maschine angebrachten Warnsymbole:



Warnsymbol zur Anzeige der Schneidgefahr. Dieses Warnsymbol befindet sich auf der Vorderseite der Maschine im Bereich der Brotaufnahme. (Fig. 10, Nr. 27)



Warnsymbol zur Anzeige der Gefahr eines tödlichen Stromschlags. Die Maschine vor jedem Eingriff vom Stromnetz nehmen. Das Warnsymbol ist an der Rückseite der Maschine neben dem Netzanschluss sowie im Inneren der Maschine auf dem Schaltkasten angebracht (Fig. 23, Nr. 27). (Fig. 10, Nr. 26)



Warnsymbol, das auf die Gefahr der Berührung der beweglichen Teile hinweist. Dieses befindet sich auf der Fronttür. (Fig. 10, Nr. 28)

Den Schaltplan der Maschine finden Sie auf der Rückseite der Schaltkastentür. (Fig. 10, Nr. 29)

#### 5.4 Inbetriebnahme:

Vor der Inbetriebnahme sicherstellen, dass sich keine Fremdkörper auf den beweglichen Teilen der Maschine befinden.

Weitere Informationen zur Verwendung der Maschine erhalten Sie im Abschnitt „Bedienung“.

#### 5.5 Gefahr:

Bei einer Gefahr für den Anwender oder die Maschine ist die Maschine über den Hauptschalter auszuschalten. (Fig. 4, Nr. 24)

Vor Wartungs- oder Instandsetzungsmaßnahmen den Netzstecker ziehen.

Die Messer niemals berühren, und zwar auch dann nicht, wenn die Maschine abgeschaltet ist. (Fig. 2, Nr. 18)

Die Messer müssen von einem zugelassenen Vertreter ausgetauscht werden.

Tragen Sie beim Austausch der Messer und bei Arbeiten direkt im Bereich der Messer stets Schutzhandschuhe, um sich gegen Schnittverletzungen zu schützen.

Wartungsmaßnahmen und der Austausch von Ersatzteilen dürfen nur durch eine qualifizierte Person erfolgen.

---

## 6 **BEDIENELEMENT UND SICHERHEITSVORRICHTUNG**

---

### 6.1 **Bedienelement:**

Ihre Brotschneidemaschine ist serienmäßig mit drei Tasten ausgestattet: einem Einschalter (Fig. 4, Nr. 22), einem Ausschalter (Fig. 4, Nr. 23) und einem Not-Aus-Schalter (Fig. 4, Nr. 24)

Optional kann sie mit dem folgenden Zusatzschalter ausgerüstet werden:

- Einschalten des Gebläses (für Maschinen, die mit einem Gebläse ausgestattet sind) (Fig. 4, Nr. 21)

### 6.2 **Arbeitsbereich:**

Der Arbeitsbereich befindet sich an der Vorderseite der Maschine (Fig. 30, Nr. 20).

### 6.3 **Sicherheitseinrichtungen:**

Diese Maschine ist mit folgenden Sicherheitseinrichtungen ausgestattet:

**Einem Not-Aus, der die Maschine bei Bedarf anhält.** (Fig. 4, Nr. 24).

---

## 7 **BEDIENUNG**

---

Vor dem Betrieb die mit Bremsen versehenen Räder feststellen (Fig. 1, Nr. 10).

**Die Maschine bei Tagesbeginn über den Not-Aus einschalten**  
(Fig. 4, Nr. 24).

### **Bedienung (Fig. 5, 6)**

- A. Die Rampen- und die Austragstischführung(en) über die Einstellscheiben auf die Länge der zu schneidenden Brote einstellen.
- B. Die Brotpresse über die Einstellscheibe auf der rechten Maschinenseite auf die Höhe der zu schneidenden Brote einstellen.
- C. Die Brote auf die Aufgaberampe legen.
- D. Die Maschine durch Drücken auf die grüne Taste einschalten. Durch die Schwerkraft und das Gewicht der Brote auf der Rampe werden diese gegen die Messer gedrückt und geschnitten.
- E. Sobald das letzte Brot zu den Messern geführt wird, den seitlichen Druckhebel betätigen, um das Brot gegen die Messer zu drücken und schneiden zu lassen.
- F. Die Brote vom Austragstisch entnehmen.

OPTION: Zur Betätigung des Gebläses auf die weiße Taste drücken (Fig. 7).

Am Ende des Tages auf die rote Taste, den **Not-Aus** (Fig. 4, Nr. 24) drücken, um die Maschine abzuschalten.

**Tipp:** Nach den ersten Betriebstagen die Spannung der Messer durch eine qualifizierte Person überprüfen lassen.

**Kapazität:** Anzahl der geschnittenen Brote pro Stunde: 500 (je nach Brotsorte).  
**Brotgröße:** (L x H) (cm): min. 22 x 6 - max. 44 x 14

---

## 8 WARTUNG

---

### 8.1 Täglich durch einen eingewiesenen Bediener:

- A. Prüfen, ob das Krümelfach geleert werden muss.
- B. Den Tisch und die Rampe abbürsten.
- C. Den Innenbereich mit einem trockenen Tuch reinigen.
- D. Zur Reinigung des Außenbereichs ein feuchtes Tuch verwenden.

### 8.2 Nach 25.000 Schnitten und/oder mindestens ein Mal jährlich durch einen zugelassenen Vertreter:

- A. Den Stecker aus der Steckdose ziehen (Fig. 1, Nr. 10).
- B. Den Zustand der Messer überprüfen.
- C. Soweit die Schneidqualität nachgelassen hat, muss das Messer ausgetauscht werden (JAC Bestellnummer: 6100012 Ersatzteilkatalog JAC)
- D. Das Messer ist entsprechend dem für den Austausch der Messer vorgeschriebenen Verfahren auszutauschen (Abs. 8.3).
- E. HINWEIS: Die Messer nicht zu stark spannen - andernfalls können die Rahmen verformen.
- F. Mit der Bürste reinigen und den Innenbereich der Maschine absaugen.
- G. Den Zustand der Lager überprüfen und diese schmieren.
- H. Die Zylinderelenke schmieren.

Hier bitte sicherstellen, dass Ihr zugelassener Vertreter diese Maßnahmen im Wartungsheft festhält, um Ihren Garantieanspruch von fünf Jahren zu erhalten.

### 8.3 Austausch der Messer

(Fig. 8, 9)

Beim Austausch der Messer oder bei Arbeiten in der Umgebung der Messer müssen Schnittschutzhandschuhe (Norm EN 388: 2003, Index B = 5) sowie Sicherheitsschuhe getragen werden.

Sich zunächst vergewissern, dass der Netzstecker gezogen ist (Fig. 1, Nr. 10).

- A. Die sechs Schrauben entfernen, mit denen das obere Blech hinten gesichert ist.
- B. Die beiden Muttern entfernen, welche über die Innenseite der Maschine die Tischklemme unter der Aufgaberampe halten.
- C. Die vier Schrauben entfernen, mit denen der Schutz der Rampe in Position gehalten wird und den Schutz der Rampe abnehmen.
- D. Die beiden Innensechskantschrauben und die beiden Einstellscheiben, mit denen die Vorderabdeckung gehalten wird, sowie die Brotablage entfernen.
- E. Die Abdeckung öffnen und die drei Innensechskantschrauben lösen, die den vorderen Tisch halten.
- F. Den vorderen Tisch herausziehen.
- G. Die Schraube **A** abschrauben, die das Gestänge des vorderen Rahmens hält.
- H. Den Rahmen nach vorne umklappen. Die Messer des hinteren Rahmens austauschen (einen Schutz auf die Messer des vorderen Rahmens legen). Die sechs Innensechskantschrauben **B** zum Spannen der Messer lösen. Die Messer austauschen und dabei darauf achten, dass sie ordnungsgemäß auf dem Führungszapfen der Ausleger sitzen. Die Messer durch Anziehen

der **B-Schrauben** wieder spannen und sich dabei an der Spannung der verbleibenden Messer im Rahmen orientieren.

**Um den Rahmen nicht zu verformen und um zu verhindern, dass es zu gefährlichen Schäden kommt, nur ein bis drei Messer auf ein Mal und abwechselnd von links nach rechts austauschen.**

Für den vorderen Rahmen das Verfahren ab Punkt H wiederholen und den vorderen Rahmen und die Verkleidungselemente wieder einsetzen. Bei der erneuten Montage sicherstellen, dass der vordere Tisch auf Höhe der Messer unter den hinteren Tisch geschoben wird.

Die Maschine mit dem Stromnetz verbinden. Die Maschine ist betriebsbereit.

Hier bitte sicherstellen, dass Ihr zugelassener Vertreter diese Maßnahmen im Wartungsheft festhält, um Ihren Garantieanspruch von fünf Jahren zu erhalten.

---

## **9 ERSATZTEILE**

---

Um Ersatzteile für Ihre Maschine zu bestellen, lassen Sie von Ihrem Vertreter anhand des Ersatzteilkatalogs des Herstellers prüfen, um welche Teile es sich genau handelt. Dazu immer die Maschinenummer übermitteln, die auf dem Typenschild steht. Ihr Vertreter bestellt das Ersatzteil dann bei JAC.

### **9.1 ERSATZTEILLISTE**

<b>ARTIKELCODE</b>	<b>BEZEICHNUNG</b>	<b>MODELL</b>
6110002	JAC-MESSER 10 MM/0,5 MM	ALLE
5740162	RAHMENGESTÄNGE MIT LAGERN	ALLE
5315013	GASFEDER 40N	ALLE
5310019	FEDER BROTPRESSE	ALLE
7240031	RIEMEN	ALLE

## 10 STÖRUNGEN UND FEHLER

Problem	Fehlersuche
<b>Die Maschine funktioniert nicht.</b>	Die Maschine über das Kabel anschließen (Fig. 2, Nr. 18).
	Den Not-Aus entriegeln (Fig. 1, Nr. 10)
	Wenn die grüne Anzeige blinkt, den zugelassenen Vertreter kontaktieren.
	Die vordere Tür schließen.
<b>Die Maschine funktioniert, das Brot wird jedoch zerdrückt oder ungleichmäßig geschnitten.</b>	Möglicherweise müssen die Messer ausgetauscht werden Abs. 8.3)
	Lassen Sie das Brot einige Stunden lang abkühlen.
	Schneiden Sie nur Brote passender Größe.
	Schneiden Sie nur ausreichend feste Brote.
	Wenn die Messer nicht ausgerichtet sind, die Messer und Rahmen einstellen.
<b>Das Brot vibriert zwischen den Messern.</b>	Wenn die Messer nicht ausgerichtet sind, die Messer und Rahmen einstellen.
<b>Das Brot wird zu langsam geschnitten.</b>	Möglicherweise müssen die Messer ausgetauscht werden Abs. 8.3)
<b>Das Brot wird zerrissen.</b>	Wenn die Messer nicht ausgerichtet sind, die Messer und Rahmen einstellen.
	Möglicherweise müssen die Messer ausgetauscht werden Abs. 8.3)
	Wenn die grüne Anzeige blinkt, den zugelassenen Vertreter kontaktieren.
<b>Das Brot wird nur sehr langsam ausgegeben oder bleibt im Bereich der Messer stecken.</b>	Überprüfen, ob der Hebel zum Verschieben des letzten Brotes betätigt wurde.
<b>Das Brot wird am Ende der Messer zusammengedrückt.</b>	Überprüfen, ob der Hebel zum Verschieben des letzten Brotes betätigt wurde.

**VORSICHT:** Vor allen Eingriffen an der Maschine ist die Maschine zwingend von der Stromversorgung zu trennen.



Bei Anhalten des Problems wenden Sie sich bitte an Ihren Servicetechniker.

## 11 LISTE DER ABGEBILDETEN TEILE UND FUNKTIONEN

Abbildung	Nummer	Bezeichnung
1	1	Aufgaberampe
	2	Schutz der Aufgaberampe
	3	Brotablage
	4	Bedienelement
	5	Abdeckung
	6	Brotpresse
	7	Austragstisch
	8	Austragstischführung
	9	Vordere Maschinentür
	10	Blockierte Rollen
	11	Führung der Aufgaberampe
	12	Hebel zum Schieben des Brotes
	13	Drehräder der Abdeckung
	14	Einstellscheibe zur Einstellung der Brotpresse
	15	Krümelfach
2	16	Abschlussblech hinten oben
	17	Abschlussblech hinten unten
	18	Netzkabel
	19	Brotschieber
3	20	Arbeitsbereich
4	21	Gebälaseschalter (Option)
	22	Einschalter
	23	Ausschalter
	24	Not-Aus-Schalter
7	25	Beutelgebläse
10	26	Hinweis „Gefahr eines Stromschlags“
	27	Hinweis „Schneidgefahr“
	28	Hinweis „Kontakt mit mechanischen Teilen“
	29	Schaltplan
11	30	Einstellbarer Anschlag





<b>1</b>	<b>VÓÓR DE INBEDRIJFSTELLING</b> .....	<b>42</b>
<b>2</b>	<b>GARANTIE</b> .....	<b>42</b>
<b>3</b>	<b>WAARSCHUWINGEN</b> .....	<b>43</b>
<b>4</b>	<b>TECHNISCHE EIGENSCHAPPEN</b> .....	<b>44</b>
4.1	Technische eigenschappen.....	44
4.2	Materiaal dat rechtstreeks in contact komt met het brood.....	44
<b>5</b>	<b>INSTALLATIE EN INBEDRIJFSTELLING</b> .....	<b>45</b>
5.1	De machine uit de verpakking halen: .....	45
5.2	Plaatsing:.....	45
5.3	Elektrische aansluiting: .....	45
5.4	Inbedrijfstelling: .....	46
5.5	Gevaar: .....	46
<b>6</b>	<b>BEDIENINGS- EN VEILIGHEIDSPANEEL</b> .....	<b>46</b>
6.1	Bedieningspaneel: .....	46
6.2	Werkzone:.....	47
6.3	Veiligheidsvoorzieningen: .....	47
<b>7</b>	<b>GEBRUIK</b> .....	<b>47</b>
<b>8</b>	<b>ONDERHOUD</b> .....	<b>48</b>
8.1	Dagelijks door een opgeleide gebruiker.....	48
8.2	Om de 25.000 snij-acties en/of minimaal één keer per jaar door een erkende verdeler. ....	48
8.3	Vervanging van de bladen. ....	48
<b>9</b>	<b>VERBRUIKSGOEDEREN</b> .....	<b>49</b>
9.1	Lijst met VERBRUIKSGOEDEREN .....	49
<b>10</b>	<b>STORINGEN</b> .....	<b>49</b>
<b>11</b>	<b>LIJST MET ONDERDELEN OP DE AFBEELDINGEN</b> .....	<b>50</b>

---

## 1 VÓÓR DE INBEDRIJFSTELLING

---

Bedankt dat u hebt gekozen voor een JAC-oplossing. Neem deze gebruikershandleiding grondig door voordat u deze machine installeert en in werking stelt. Zo kunt u uzelf beschermen en schade aan uw machine vermijden.

Deze handleiding verwijst naar diverse afbeeldingen zodat u de instructies beter kunt begrijpen. Deze afbeeldingen bevinden zich op het einde van de handleiding. Raadpleeg ze wanneer u de volgende symbolen tegenkomt (fig.X, n°Y).

**Om nog jarenlang van uw machine te kunnen genieten, raden we u aan om de volgende adviezen na te leven:**

- Doe een beroep op uw erkende verdeler voor de installatie, inbedrijfstelling en opvolging.
- Om te kunnen genieten van de garantie van vijf jaar (zie verder voor de voorwaarden), moet u bij de installatie van uw machine het onderhoudsboekje laten invullen door uw verdeler. Dit onderhoudsboekje bevindt zich aan de achterkant van uw machine.

---

## 2 GARANTIE

---



**JAC biedt een garantie van vijf jaar op al zijn producten.**

Deze garantie is geldig voor alle onderdelen van uw machine, waaronder de elektronische onderdelen, maar uitgezonderd de verbruiksgoederen. De garantie treedt in werking op de installatiedatum van het materiaal.

**Onder de volgende beperkende voorwaarden:**

- Het materiaal moet bij een erkende verdeler zijn aangekocht.
- De installatie moet door een erkende verdeler zijn uitgevoerd.
- Het materiaal moet worden gebruikt in overeenstemming met de aanwijzingen in de gebruikershandleiding en voor het doel waarvoor het werd geproduceerd.
- Het materiaal moet dagelijks worden onderhouden in overeenstemming met de aanwijzingen in de gebruikershandleiding.
- Ten minste één keer per jaar moet onderhoud worden uitgevoerd door de erkende verdeler en dit in overeenstemming met de onderhoudsspecificaties (onderhoud ten laste van de gebruiker).
- Alleen originele JAC-onderdelen mogen worden gebruikt.



**Als er geen onderhoud wordt uitgevoerd door een erkende verdeler en/of het onderhoudsboekje niet correct wordt ingevuld, is de garantie beperkt tot één jaar.**

**Het volgende valt niet onder deze garantie:**

- De vervanging van verbruiksgoederen (§9).
- Defecte stukken die door onze diensten niet worden erkend.
- Problemen ten gevolge van een abnormaal gebruik van het materiaal.
- Problemen doordat de installatie niet door een erkende verdeler is uitgevoerd.
- De onderdelen of problemen die het gevolg zijn van transportschade of een ongepaste behandeling.

**Een reparatie en/of een vervanging van defecte onderdelen tijdens de garantieperiode verlengt deze garantie niet.**

---

### **3 WAARSCHUWINGEN**

---

Het is heel belangrijk dat deze gebruikershandleiding bij het apparaat wordt bewaard zodat ze later kan worden geraadpleegd. Als dit apparaat wordt verkocht of aan een andere persoon wordt overgedragen, zorg er dan voor dat de gebruikershandleiding wordt overhandigd zodat de gebruiker op de hoogte is van de werking ervan en van de daarin vermelde waarschuwingen.



**Deze waarschuwingen worden gegeven voor uw veiligheid en die van anderen. We vragen u dan ook ze aandachtig te lezen voordat u het apparaat installeert en gebruikt.**

Deze machine werd ontworpen om door bevoegde volwassenen te worden gebruikt. Zorg er dus voor dat kinderen de machine niet aanraken en niet als speelgoed beschouwen.

Deze machine is uitsluitend voorbehouden voor professioneel gebruik.

Het is gevaarlijk om de eigenschappen van deze machine te wijzigen of te proberen wijzigen.

Zorg er na de installatie van deze machine voor dat ze niet op het netsnoer staat.

Volg de meegeleverde gebruiksinstructies.

Deze machine moet worden bewaard en gebruikt in een ruimte die niet vochtig of warm wordt.

Deze machine moet voldoende verlicht zijn om het werk uit te voeren.

Deze machine heeft een geluidsniveau van minder dan 75 dB(A) conform de norm EN ISO 3744.

Deze machine mag slechts door één persoon tegelijkertijd worden gebruikt (behoudens tegengestelde instructie).

Deze machine is bedoeld voor het snijden van gebakken en lauw brood.



**Deze machine is niet bedoeld voor het volgende brood en materiaal:**

- Warm brood, oud brood
- Bevroren of half ontdooid brood
- Volkorenbrood met harde korst en andere soorten brood met een harde korst
- Roggebrood
- Niet-eetbare producten zoals hout, plastic en soortgelijk materiaal
- Elk voedingsmiddel dat niet hoort tot de categorie brood of cake

**De machine kan beschadigd raken als niet toegestaan brood of materiaal wordt gesneden.**



Haal altijd de stekker uit het stopcontact vooraleer u de buiten- of binnenkant van het apparaat schoonmaakt of onderhoud uitvoert.

Dit apparaat is zwaar. Neem alle veiligheidsmaatregelen tijdens het onderhoud.

---

## 4 TECHNISCHE EIGENSCHAPPEN

---

### 4.1 Technische eigenschappen

	<b>Chute</b>
Hoogte (mm)	1834
Breedte (mm)	654
Diepte (mm)	907
Breedte van het toevoerkanaal (mm)	440
Hoogte van het toevoerkanaal (mm)	140
Verpakking (mm)	800 x 860 x 1900
Nettogewicht (kg)	230
Nettogewicht + verpakking (kg)	250
Motorvermogen (kW)	0,49
Motor type	Eenfasig of driefasig
220 V - 50 Hz (A)	5
380 V - 50 Hz (A)	3,2
Capaciteit (broden/uur)	200<500
Geluidsniveau (dB)	<75

<b>Versterkte motor</b>	optie
<b>Zakopblazer</b>	optie
<b>Speciale messen</b>	optie

### 4.2 Materiaal dat rechtstreeks in contact komt met het brood.

**Laadhelling:** INOX 430

**Duwer laatste broden:** INOX 430

**Broodpers:** INOX 430

**Bladen:** Staal

**Afvoerband:** INOX 430

### 5.1 De machine uit de verpakking halen:

De machines worden uit onze ateliers op pallets, verankerd en met karton beschermd geleverd. U moet eerst en vooral de verpakking bekijken en elke transportschade onmiddellijk aan de koerier melden.

- A. Verwijder het karton en de verpakkingzak van de machine.
- B. Verwijder de riemen en let daarbij met name op de terugslag wanneer ze worden doorgesneden.
- C. Maak de machine los van de pallet door de houten latten te verwijderen die de wieltjes blokkeren.
- D. Haal de machine van de pallet. Doe dit met minstens twee personen zodat de machine niet met een harde schok op de grond terechtkomt.
- E. Installeer de verstelbare aanslag van de broodplank op de broodplank (LCS) (fig.11, n°30).

**Na het uitpakken van uw machine moet u nakijken of ze tijdens het transport geen schade heeft opgelopen. Meld ons elke afwijking.**

### 5.2 Plaatsing:

Voor uitstekende prestaties en betrouwbaarheid op lange termijn moet u een plaats kiezen die:

Goed verlucht is, niet blootgesteld is aan direct zonlicht en uit de buurt is van warmtebronnen, met een vlak, stevig en trillingsvrij oppervlak.

### 5.3 Elektrische aansluiting:

**BELANGRIJK:** Verplichte aarding.

Er wordt aangeraden om de installatie te beveiligen met een zekering en differentieelschakelaar.

Uw elektriciteitsinstallatie die stroom levert aan de machine moet als volgt worden beveiligd:

- Noord-Amerika: Beveiliging 15 A
- Rest van de wereld: Beveiliging 16 A

Machines die uitgerust zijn met een regelaar moeten worden aangesloten op een aftakdoos op een lijn die uitgerust is met een differentieelschakelaar van 300 mA.

Opmerking: Elk probleem dat te wijten is aan een andere soort aansluiting wordt niet gedekt door de garantie.

Voordat u uw machine op het net aansluit en om een storing van de motor bij het onder spanning zetten te vermijden, is het belangrijk dat u controleert of het elektriciteitsnet overeenstemt met de eigenschappen van de machine (zie het identificatieplaatje).

Dit apparaat is conform de machinerichtlijnen 2006/42, 2006/95, 2004/108 en draagt de CE-markering die hiervan getuigt.

Neem kennis van de veiligheidspictogrammen op de machine:



Pictogram dat wijst op een mogelijke stroomonderbreking. Deze is terug te vinden aan de voorkant van de machine in de zone waar het brood wordt geplaatst (fig.10, n°27).



Pictogram dat wijst op gevaar voor elektrocutie. Trek de machine vóór elke interventie uit het stopcontact. Dat vindt u aan de achterkant van de machine in de buurt van het netsnoer en binnenin de machine op de schakelkast (fig.10, n°26).



Pictogram dat wijst op een risico op contact met het bewegende mechanisme. Dat vindt u op de deur vooraan (fig.10, n°28).

U vindt het elektrische schema van de machine op de achterkant van de deur van de schakelkast (fig.10, n°29).

#### 5.4 **Inbedrijfstelling:**

Zorg er vóór de inbedrijfstelling voor dat er zich geen enkel storend voorwerp bevindt op de bewegende onderdelen van de machine.

Raadpleeg het hoofdstuk "Gebruik" voor informatie over het gebruik van de machine.

#### 5.5 **Gevaar:**

Als er gevaar is voor de gebruiker of voor de machine, moet u de hoofdschakelaar gebruiken om de stroomtoevoer naar de machine te onderbreken (fig.4, n°24).

Haal de stekker uit het stopcontact vooraleer u onderhoud uitvoert.  
Raak de bladen niet aan, ook niet als ze stilstaan (fig.2, n°18).

De bladen mogen alleen worden vervangen door uw erkende verdeler.

Draag altijd snijbestendige veiligheidshandschoenen tijdens de vervanging van de bladen of tijdens een handeling in de buurt van de bladen.

Elk onderhoud of vervanging van een onderdeel moet door een bevoegde persoon worden uitgevoerd.

---

## 6 **BEDIENINGS- EN VEILIGHEIDSPANEEL**

### 6.1 **Bedieningspaneel:**

Uw snijmachine is standaard uitgerust met drie knoppen:  
Een startknop (fig.4, n°22), een stopknop (fig.4, n°23) en een noodstopknop (fig.4, n°24).



De volgende extra knop kan hieraan worden toegevoegd:  
- Oplazer starten (op een machine met oplazer) (fig.4, n°21).

## 6.2 **Werkzone:**

De werkzone bevindt zich voor de machine (fig.3, n°20).

## 6.3 **Veiligheidsvoorzieningen:**

Deze machine is uitgerust met:

**Een noodstop die de machine tijdens de werking stopt** (fig.4, n°24).

---

## 7 **GEBRUIK**

---

Voor het gebruik moeten de met een rem uitgeruste zwenkwielen worden vastgezet (fig.1,n°10).

**Zet de machine in het begin van de dag onder spanning met de noodstop** (fig.4, n°24).

### **Gebruiksprocedure (fig.5,6)**

- A. Stel de hellinggeleiders af en stel de afvoerbandgeleider(s) af met behulp van de afstelwielletjes zodat ze aangepast zijn aan de lengte van het te snijden brood.
- B. Stel de broodpers af met het afstelwielletje rechts van de machine zodat die aangepast is aan de hoogte van het te snijden brood.
- C. Plaats het brood op de laadhelling.
- D. Druk op de groene knop om de machine in werking te stellen. Het gewicht van het brood op de helling zorgt ervoor dat het brood in de bladen wordt geduwd en dus wordt gesneden.
- E. Wanneer het laatste brood zich tussen de bladen bevindt, gebruikt u de hendel om het laatste brood uit de bladen te laten komen en het gesneden brood te kunnen nemen.
- F. Haal het brood van de afvoerband.

OPTIE: Druk op de witte knop om uw oplazer tevoorschijn te laten komen (fig.7).

Druk op het einde van de dag op de rode **noodstopknop** (fig.4, n°24) om de machine uit te schakelen.

**Advies:** Laat na de eerste werkdagen de spanning van de bladen nakijken door een bevoegd persoon.

**Capaciteit:** Aantal gesneden broden per uur: 500 (afhankelijk van het broodtype).  
Afmetingen van het brood (b x h) (cm) : min. 22 x 6 - max. 44 x 14

### 8.1 Dagelijks door een opgeleide gebruiker.

- A. Controleer of u de kruimelbak niet moet leegmaken.
- B. Maak de plank en de helling met een borstel schoon.
- C. Gebruik een droge doek om de binnenkant schoon te maken.
- D. Gebruik een vochtige doek om de buitenkant schoon te maken.

### 8.2 Om de 25.000 snij-acties en/of minimaal één keer per jaar door een erkende verdeler.

- A. Haal de stekker uit het stopcontact (fig.1, n°10).
- B. Controleer de staat van de snijbladen.
- C. Als de snijkwaliteit daalt, vervang dan de snijbladen (JAC-referentie: 6100012 in de reserveonderdelencatalogus van JAC)
- D. Als ze moeten worden vervangen, vervang de bladen dan conform de vervangingsprocedure voor snijbladen (§8.3)
- E. NB: Span de bladen niet overmatig, dit kan de kaders vervormen.
- F. Borstel en stofzuig de binnenkant van de machine.
- G. Controleer de staat van de lagers en smeer ze.
- H. Smeer de vijzelgewrichten.

Controleer goed of uw erkende verdeler zijn interventie in uw onderhoudsboekje heeft genoteerd zodat u uw garantie van vijf jaar behoudt.

### 8.3 Vervanging van de bladen.

(fig.8.9)

Draag altijd snijbestendige veiligheidshandschoenen (norm EN 388: 2003 index B= 5) en veiligheidsschoenen tijdens de vervanging van de bladen of tijdens een handeling in de buurt van de bladen.

Nadat u er zeker van bent dat de stekker van uw machine uit het stopcontact is getrokken (fig.1, n°10) doet u het volgende:

- A. Draai de zes schroeven los die de plaat boven achteraan op zijn plaats houden.
- B. Draai de twee moeren los die de tafelklem onder de laadhelling binnenin de machine op zijn plaats houden.
- C. Draai de vier schroeven los die de hellingbeveiliging op zijn plaats houden en neem de hellingbeveiliging weg.
- D. Draai de twee schroeven met holle binnenzeskant en de twee afstelwielletjes los die de kap vooraan en de broodplank op hun plaats houden.
- E. Open de kap en schroef de drie schroeven met holle binnenzeskant los die de plank vooraan op zijn plaats houden.
- F. Neem de plank vooraan weg.
- G. Draai schroef **A** los die de verbindingstang van het kader vooraan op zijn plaats houdt.
- H. Haal het kader naar voren. Vervang de bladen van het kader achteraan (plaats iets om u te beschermen tegen de bladen van het kader vooraan). Draai schroeven **B** met holle binnenzeskant los die de bladen spannen. Vervang de bladen en ga daarbij na of ze goed worden geplaatst in de stift van de persen. Span de bladen opnieuw aan door de schroeven **B vast te draaien**, waarbij de bladen op het kader blijven als merkteken voor de spanning.

**Om het kader niet te vervormen en geen risico op gevaarlijke breuken te lopen, mag u slechts 1 tot 3 bladen tegelijkertijd vervangen en moet u links en rechts afwisselen.**





Herbegin de procedure vanaf punt H. voor het kader vooraan en plaats het kader vooraan evenals de afwerkingselementen terug op hun plaats. Zorg er bij het opnieuw in elkaar zetten goed voor dat de plank vooraan onder de plank achteraan ter hoogte van de bladen schuift.

Steek de stekker van uw machine in het stopcontact. De machine is klaar.

Controleer goed of uw erkende verdeler zijn interventie in uw onderhoudsboekje heeft genoteerd zodat u uw garantie van vijf jaar behoudt.

## 9 VERBRUIKSGOEDEREN

Ga bij de bestelling van een reserveonderdeel met uw verdeler na om welk stuk het gaat op basis van de reserveonderdelencatalogus van de fabrikant.

Geef altijd het machinenummer op zoals vermeld op het identificatieplaatje.

Uw verdeler voert de bestellingen uit bij JAC.

### 9.1 Lijst met VERBRUIKSGOEDEREN

ARTIKELCODE	OMSCHRIJVING	MODEL
6110002	JAC-MES 10 MM/0,5 MM	ALLE
5740162	VERBINDINGSSTANG VAN KADER MET WIELTJES	ALLE
5315013	GASVEER 40 N	ALLE
5310019	VEER BROODPERS	ALLE
7240031	RIEM	ALLE

## 10 STORINGEN

Probleem	Controle
<b>De machine werkt niet</b>	Sluit de machine met een kabel op het stopcontact aan (fig.2, n°18).
	Ontgrendel de noodstop (fig.1, n°10).
	Neem contact op met uw erkende verdeler als het groene controlelampje knippert.
	Sluit de deur vooraan.
<b>De machine werkt maar het brood wordt beschadigd of onregelmatig gesneden</b>	Controleer of de bladen niet moeten worden vervangen (§8.3).
	Laat het brood enkele uren afkoelen.
	Plaats brood met toegelaten afmetingen.
	Plaats een redelijk stevig brood.
<b>Het brood trilt in de bladen</b>	Als de bladen niet goed zijn uitgelijnd, stel dan de bladen en kaders af.
	Als de bladen niet goed zijn uitgelijnd, stel dan de bladen en kaders af.
<b>Het brood wordt te traag gesneden</b>	Controleer of de bladen niet moeten worden vervangen (§8.3).
<b>Het brood wordt stukgescheurd</b>	Als de bladen niet goed zijn uitgelijnd, stel dan de bladen en kaders af.
	Controleer of de bladen niet moeten worden vervangen (§8.3).
	Neem contact op met uw erkende verdeler als het groene controlelampje knippert.
<b>Het brood komt traag naar buiten of blijft in de bladen</b>	Controleer of de hendel voor het duwen van het laatste brood goed is ingeschakeld.
<b>Het brood wordt bij het verlaten van de bladen verpletterd</b>	Controleer of de hendel voor het duwen van het laatste brood goed is ingeschakeld.

**OPGELET:** Bij elke tussenkomst moet de machine uit het stopcontact worden getrokken.



Als het probleem zich blijft voordoen, neem dan contact op met uw technicus.

---

## 11 LIJST MET ONDERDELEN OP DE AFBEELDINGEN

---

Afbeelding	Nummer	Naam
1	1	Laadhelling
	2	Beveiliging van de laadhelling
	3	Broodplank
	4	Bedieningspaneel
	5	Kap
	6	Broodpers
	7	Afvoerband
	8	Geleider van de afvoerband
	9	Deur vooraan
	10	Wieltjes met rem
	11	Geleider voor de laadhelling
	12	Hendel van broodduwer
	13	Afstelwielletjes voor kap
	14	Afstelwielletje van broodklem
	15	Kruimelbak
2	16	Afsluitplaat boven achteraan
	17	Afsluitplaat boven onderaan
	18	Netsnoer
	19	Broodduwer
3	20	Werkzone
4	21	Opblazerknop (optie)
	22	Startknop
	23	Stopknop
	24	Noodstopknop
7	25	Zakopblazer
10	26	Plaatje "gevaar voor elektrocutie"
	27	Plaatje "gevaar voor stroomonderbreking"
	28	Plaatje "mechanisch contact"
	29	Elektrisch schema
11	30	Afstelbare aanslag

1	ПЕРЕД ВВОДОМ В ЭКСПЛУАТАЦИЮ .....	52
2	ГАРАНТИЯ.....	52
3	ПРЕДУПРЕЖДЕНИЯ.....	53
4	ТЕХНИЧЕСКИЕ ХАРАКТЕРИСТИКИ .....	54
4.1	Технические характеристики .....	54
4.2	Подробности о материалах, находящихся в непосредственном контакте с хлебом. ....	54
5	УСТАНОВКА И ВВОД В ЭКСПЛУАТАЦИЮ .....	55
5.1	Распаковка машины .....	55
5.2	Место установки .....	55
5.3	Электрическое подключение.....	55
5.4	Ввод в эксплуатацию.....	56
5.5	Опасность .....	56
6	ОРГАНЫ УПРАВЛЕНИЯ И ПРЕДОХРАНИТЕЛЬНЫЕ УСТРОЙСТВА .....	57
6.1	Органы управления.....	57
6.2	Рабочая зона.....	57
6.3	Предохранительные устройства .....	57
7	ЭКСПЛУАТАЦИЯ .....	57
8	ТЕХНИЧЕСКОЕ ОБСЛУЖИВАНИЕ .....	58
8.1	Ежедневное, выполняется пользователем, прошедшим подготовку.....	58
8.2	Через каждые 25 000 нарезок и (или) не реже 1 раза в год; выполняется аккредитованным специалистом. ....	58
8.3	Замена лезвий .....	58
9	РАСХОДНЫЕ МАТЕРИАЛЫ.....	59
9.1	Список РАСХОДНЫХ МАТЕРИАЛОВ .....	59
10	НЕПОЛАДКИ В РАБОТЕ .....	60
11	СПИСОК КОМПЛЕКТУЮЩИХ НА ИЗОБРАЖЕНИЯХ.....	61

---

## 1 ПЕРЕД ВВОДОМ В ЭКСПЛУАТАЦИЮ

---

Благодарим за то, что выбрали компанию JAC. Перед установкой машины и ее вводом в эксплуатацию обязательно прочтите настоящее руководство. Таким образом вы сможете защитить себя и избежать повреждений машины.

В настоящем руководстве содержатся ссылки на различные изображения, облегчающие понимание инструкций. Эти изображения находятся в конце руководства. Обращайтесь к ним, когда встретите в тексте обозначения следующего вида: (fig.X, n°Y).

**Для обеспечения бесперебойной работы машины в будущем предлагаем ознакомиться с представленными ниже правилами.**

— Для установки машины, ее ввода в эксплуатацию и контроля работы обращайтесь к аккредитованному специалисту.

— Чтобы на машину подействовала 5-летняя гарантия (см. необходимые условия далее), дистрибьютор должен заполнить журнал технического обслуживания при установке машины. Журнал технического обслуживания находится с тыльной части машины.

---

## 2 ГАРАНТИЯ

---



**Компания JAC предоставляет 5-летнюю гарантию на всю свою продукцию.**

Гарантия распространяется на все детали машины, в том числе электронные, кроме расходных материалов. Гарантия вступает в силу с даты установки оборудования.

**Гарантия действует при соблюдении следующих ограничительных условий:**

- Приобретение оборудования у аккредитованного дистрибьютора.
- Выполнение установки аккредитованным специалистом.
- Использование оборудования в соответствии с указаниями в руководстве по эксплуатации и по назначению, предусмотренному при производстве.
- Ежедневное обслуживание оборудования в соответствии с указаниями в руководстве по эксплуатации.
- Выполнение технического обслуживания аккредитованным специалистом в соответствии с требованиями по техническому обслуживанию не реже одного раза в год (производится за счет пользователя).
- Использование исключительно оригинальных деталей компании JAC.



**При отсутствии контроля технического обслуживания со стороны аккредитованного специалиста и (или) в случае неправильного ведения журнала технического обслуживания действие гарантии ограничивается одним годом.**

**Гарантия не распространяется:**

- На замену расходных материалов (§9).
- На детали, признанные неисправными не нашей компанией.
- На проблемы, возникшие вследствие неправильной эксплуатации оборудования.

— На проблемы, возникшие вследствие установки машины не аккредитованным специалистом.

— На детали или проблемы, связанные с нанесением ущерба во время транспортировки или ненадлежащим обращением при погрузочно-разгрузочных работах.

**Ремонт и (или) замена неисправных деталей, выполненные в течение гарантийного периода, не могут послужить причиной продления данной гарантии.**

---

### 3 ПРЕДУПРЕЖДЕНИЯ

---

Настоящее руководство следует сохранить для получения справочной информации при дальнейшей эксплуатации машины. В случае продажи или передачи машины другому лицу следует удостовериться, что руководство по эксплуатации передается вместе с ней, чтобы пользователь мог получить информацию о ее работе и связанных с ней предупреждениях.



**Предупреждения изложены для обеспечения вашей безопасности и безопасности других лиц. Просим вас внимательно прочесть эти предупреждения перед установкой и эксплуатацией машины.**

Машина разработана для использования совершеннолетними лицами с соответствующим разрешением. Поэтому нужно следить за тем, чтобы дети не прикасались к машине и не использовали ее в качестве игрушки.

Машина предназначена исключительно для использования в рабочих целях.

Опасно вносить изменения в характеристики машины или предпринимать соответствующие попытки.

После установки машины убедитесь в том, что она не стоит на кабеле электроснабжения.

Соблюдайте данные инструкции по эксплуатации.

Машина должна храниться и использоваться в помещении, защищенном от сырости и жары.

Машина должна быть достаточно освещена для выполнения работы.

Уровень шума машины ниже 75 дБ(А) согласно стандарту EN ISO 3744.

Машина не должна использоваться несколькими операторами параллельно (если не предписано иное).

Данная машина предназначена для нарезки печеного и выдержанного хлеба.



**Данная машина не предназначена для следующих материалов и видов хлеба:**

- Горячий хлеб, черствый хлеб.
- Замороженный или частично размороженный хлеб.
- Цельнозерновой хлеб с твердой коркой и другие виды хлеба с твердой коркой.
- Ржаной хлеб.

- Несъедобные изделия из древесины, пластмассы и аналогичных материалов.
- Любые продукты питания, не входящие в категорию хлебных или кексовых изделий.

**Нарезка перечисленных видов хлеба или материалов может привести к повреждению машины.**



**Всегда отключайте машину от сети электропитания перед выполнением чистки внутренних/внешних поверхностей и операций по техническому обслуживанию.**

Машина тяжелая. Принимайте все необходимые меры предосторожности при транспортировке и погрузочно-разгрузочных работах.

## **4 ТЕХНИЧЕСКИЕ ХАРАКТЕРИСТИКИ**

### **4.1 Технические характеристики**

	<b>Chute</b>
<b>Высота (мм)</b>	1834
<b>Ширина (мм)</b>	654
<b>Глубина (мм)</b>	907
<b>Ширина входного канала (мм)</b>	440
<b>Высота входного канала (мм)</b>	140
<b>Упаковка (мм)</b>	800 x 860 x 1900
<b>Масса нетто (кг)</b>	230
<b>Масса нетто + упаковка (кг)</b>	250
<b>Мощность мотора (кВт)</b>	0,49
<b>Тип мотора</b>	Однофазный или трехфазный
<b>220 В, 50 Гц (А)</b>	5
<b>380 В, 50 Гц (А)</b>	3,2
<b>Производительность (буханок/час)</b>	200 < 500
<b>Уровень шума (дБ)</b>	< 75

<b>Усиленный мотор</b>	опция
<b>Воздуходувка для открывания пакетов</b>	опция
<b>Специальные ножи</b>	опция

### **4.2 Подробности о материалах, находящихся в непосредственном контакте с хлебом.**

**Затрубочная рампа:** НЕРЖ. 430  
**Толкатель последней буханки:** НЕРЖ. 430  
**Пресс для буханок:** НЕРЖ. 430  
**Лезвия:** сталь



---

## **5 УСТАНОВКА И ВВОД В ЭКСПЛУАТАЦИЮ**

---

### **5.1 Распаковка машины**

Машины из наших цехов поставляются на поддонах, закрепленные ремнями и в защитной картонной коробке. Прежде всего следует осмотреть упаковку на предмет наличия повреждений, полученных во время транспортировки, и сообщить о них непосредственно экспедитору.

- A. Удалите картонную коробку и упаковочный пакет машины.
- B. Снимите ремни, обратив особое внимание на их ослабление при разрезании.
- C. Открепите машину от поддона, сняв деревянные рейки, фиксирующие колесики.
- D. Снимите машину с поддона. В этой операции должны участвовать не менее двух человек для обеспечения максимально плавного соприкосновения машины с полом.
- E. Установите на место регулируемый упор устройства для упаковки в пакеты (LCS) (fig.11, п°30)

**После распаковки машины убедитесь, что она не подвергалась повреждениям во время транспортировки. Сообщайте нам о любых дефектах.**

### **5.2 Место установки**

Для обеспечения долгосрочной высокой производительности и надежности машины следует правильно выбрать место установки.

Оно должно быть хорошо проветриваемым, защищенным от воздействия прямых солнечных лучей, удаленным от источников тепла, с ровной и прочной поверхностью, не подвергающейся вибрации.

### **5.3 Электрическое подключение**

**ВАЖНО!** Обязательно наличие заземления.

Рекомендуется защитить электрическую установку с помощью плавкого предохранителя и дифференциального автоматического выключателя.

Электрическая установка, обеспечивающая питание машины, должна быть защищена следующим образом:

- Северная Америка: защита 15 А.
- Остальные страны: защита 16 А.

Машины, оборудованные регулятором скорости, обязательно должны подключаться к разветвительной коробке на линии с дифференциальным автоматом 300 мА.

Примечание. Любые проблемы, возникшие в связи с иным видом подключения, не будут покрываться гарантией.

Перед подключением машины к электросети и во избежание выхода мотора из строя в момент подключения следует убедиться в соответствии электросети характеристикам машины (см. заводской щиток).

Машина соответствует директивам о безопасности машин и оборудования 2006/42, 2006/95, 2004/108 и имеет подтверждающую маркировку ЕС.

Ознакомьтесь с пиктограммами техники безопасности, имеющимися на машине.



Пиктограмма, предупреждающая об опасности пореза. Она находится в передней части машины, рядом с зоной выгрузки хлеба. (fig.10, n°27)



Пиктограмма, предупреждающая об опасности поражения электрическим током. Отключайте машину перед выполнением любых работ. Пиктограмма находится сзади машины, рядом с кабелем питания и внутри машины на отсеке электрощитка. (fig.10, n°26)



Пиктограмма, предупреждающая об опасности прикосновения к подвижным механическим элементам. Она находится на передней дверце. (fig.10, n°28)

Электросхема машины находится на обратной стороне дверцы отсека электрощитка. (fig.10, n°29)

#### 5.4 Ввод в эксплуатацию

Перед вводом в эксплуатацию убедитесь в отсутствии любых посторонних предметов на подвижных частях машины.

Для получения ответов на все вопросы, касающиеся эксплуатации машины, см. раздел «Эксплуатация».

#### 5.5 Опасность

В случае возникновения опасности для пользователя или для машины следует отключить электропитание с помощью главного выключателя. (fig.4, n°24)

Извлеките штекер из электрической розетки перед выполнением любых операций по техническому или периодическому обслуживанию.

Не прикасайтесь к лезвиям, даже если машина выключена. (fig.2, n°18)

Для замены лезвий обратитесь к аккредитованному дистрибьютору.

Обязательно надевайте защитные перчатки, предохраняющие от порезов, при выполнении операций в непосредственной близости от лезвий или при их замене.

Все операции по техническому обслуживанию или замене деталей должны осуществляться квалифицированным сотрудником.



---

## 6 ОРГАНЫ УПРАВЛЕНИЯ И ПРЕДОХРАНИТЕЛЬНЫЕ УСТРОЙСТВА

---

### 6.1 Органы управления

Хлебозрезка серийно оборудована тремя кнопками: кнопкой «Пуск» (fig.4, н°22), кнопкой «Стоп» (fig.4, н°23) и кнопкой аварийного останова (fig.4, н°24).

Также машина может быть оборудована дополнительной кнопкой в виде опции:

— кнопкой включения воздухоудовки (если машина оборудована воздухоудовкой) (fig.4, н°21).

### 6.2 Рабочая зона

Рабочая зона находится перед машиной (fig.3, н°20).

### 6.3 Предохранительные устройства

Оборудование на данной машине:

**Аварийный останов, выключающий машину при его приведении в действие.** (fig.4, н°24)

---

## 7 ЭКСПЛУАТАЦИЯ

---

Перед началом эксплуатации колесики, оснащенные тормозом, должны быть заблокированы. (fig.1, н°10)

**В начале рабочего дня машину следует включить с помощью кнопки аварийного останова.**  
(fig.4, н°24)

### Порядок эксплуатации (fig.5, 6)

- A. Отрегулируйте направляющие загрузочной рампы и одну или обе направляющие выходной полки по длине нарезаемых буханок с помощью колесиков.
- B. Отрегулируйте пресс по высоте нарезаемых буханок с помощью колесика с правой стороны машины.
- C. Загрузите буханки в загрузочную рампу.
- D. Нажмите на зеленую кнопку запуска машины; под собственной тяжестью загруженные в рампу буханки ложатся на лезвия, после чего начинается нарезка.
- E. После того как на лезвия ляжет последняя буханка, надавите на рычаг толкателя последней буханки, чтобы вытолкнуть ее из ножей в разрезанном виде.
- F. Заберите нарезанный хлеб с выходной полки.

ОПЦИЯ. Для включения воздухоудовки нажмите на белую кнопку (fig.7).

В конце рабочего дня нажмите на красную кнопку **аварийного останова** (fig.4, н°24), чтобы отключить электропитание машины.

**Рекомендация.** После первых дней эксплуатации поручите квалифицированному специалисту проверить натяжение лезвий.

**Производительность.** Количество буханок, нарезаемых в час: 500 (в зависимости от типа хлеба).

Размеры буханки (Д x В) (см): мин. 22 x 6, макс. 44 x 14.

---

## **8 ТЕХНИЧЕСКОЕ ОБСЛУЖИВАНИЕ**

---

### **8.1 Ежедневное, выполняется пользователем, прошедшим подготовку.**

- A. Проверьте заполненность бака для крошек.
- B. Очистите полки и загрузочную рампу с помощью щетки.
- C. Протрите сухой салфеткой внутренние поверхности.
- D. Протрите влажной салфеткой внешние поверхности.

### **8.2 Через каждые 25 000 нарезок и (или) не реже 1 раза в год; выполняется аккредитованным специалистом.**

- A. Извлеките штекер из розетки (fig. 1, n°10).
- B. Проверьте состояние режущих лезвий.
- C. При констатации снижения качества нарезки закажите замену режущих лезвий (артикул JAC: 6100012 в каталоге запасных частей компании JAC).
- D. Если лезвия подлежат замене, эта операция должна быть выполнена в соответствии с процедурой режущих лезвий (§8.3).
- E. **ОБРАТИТЕ ВНИМАНИЕ!** Натяжка лезвий не должна быть избыточной, это может привести к деформации рамок.
- F. Очистите внутренние поверхности машины с помощью щетки и пылесоса.
- G. Проверьте состояние подшипников, смазку подшипников.
- H. Смажьте шарнирные соединения установочного домкрата.

Проверьте внесение аккредитованным специалистом записей о выполненной работе в журнал технического обслуживания для сохранения 5-летней гарантии.

### **8.3 Замена лезвий**

(fig.8, 9)

Обязательно надевайте защитные перчатки, предохраняющие от порезов (стандарт EN 388: 2003, индекс В = 5), и защитную обувь во время выполнения замены лезвий или операций в непосредственной близости от лезвий.

Перед выполнением работы убедитесь, что штекер машины выключен из электросети (fig. 1, n°10).

- A. Открутите 6 винтов, фиксирующих верхнюю заднюю пластину.
- B. Открутите две гайки, фиксирующие захват полки под загрузочной рампой изнутри машины.
- C. Открутите 4 винта, фиксирующие защиту рампы, и снимите защиту рампы.
- D. Открутите 2 винта с 6-гранным углублением под торцевой ключ и два колесика, фиксирующие переднюю часть кожуха и устройство для упаковки в пакеты.
- E. Откройте кожух и открутите 3 винта с 6-гранным углублением под торцевой ключ, фиксирующие переднюю полку.
- F. Снимите переднюю полку.
- G. Открутите винт **A**, фиксирующий стержень передней рамки.



Н. Уложите рамку вперед. Замените лезвия задней рамки (накройте чем-нибудь лезвия передней рамки, чтобы не порезаться). Ослабьте винты **В** с 6-гранным углублением под торцевой ключ, обеспечивающие натяжение лезвий. Замените лезвия, следя за тем, чтобы они правильно расположились в выступах противовесов. Восстановите натяжение лезвий, затянув винты **В**, используя в качестве ориентира ножи, оставшиеся на рамке.

**Во избежание деформации рамки и опасных поломок одновременно следует заменять не более 1–3 лезвий, чередуя левую и правую стороны.**

Выполните ту же процедуру, начиная с пункта Н, для передней рамки и установите ее на место вместе с другими элементами корпуса машины. При обратном монтаже убедитесь, что передняя полка проходит под задней на уровне лезвий.

Подключите машину к электросети. Машина готова к работе.

Проверьте внесение аккредитованным специалистом записи о выполненной работе в журнал технического обслуживания для сохранения 5-летней гарантии.

---

## **9 РАСХОДНЫЕ МАТЕРИАЛЫ**

---

При заказе запасной части проверьте вместе с аккредитованным специалистом, о какой детали идет речь, по каталогу запасных частей, выпускаемому производителем. Всегда уточняйте номер машины, указанный на заводском щитке. Заказ в компании JAC может разместить ваш аккредитованный специалист.

### **9.1 Список РАСХОДНЫХ МАТЕРИАЛОВ**

<b>ITEM CODE</b>	<b>DESCRIPTION</b>	<b>MODEL</b>
6110002	JAC KNIFE, 10 MM/0.5 MM	ALL
5740162	FRAME LINK WITH BEARINGS	ALL
5315013	GAS SPRING, 40 N	ALL
5310019	LOAF HOLDER SPRING	ALL
7240031	BELT	ALL

<b>Проблема</b>	<b>Проверка</b>
<b>Машина не работает</b>	Подключить машину с помощью кабеля (fig.2, п°18).
	Разблокировать аварийный останав (fig.1, п°10).
	Если мигает зеленый индикатор, обратиться к аккредитованному специалисту.
	Закреть переднюю дверцу.
<b>Машина работает, но буханки разрушаются или нарезаются неровно.</b>	Проверить, не нужно ли заменить лезвия (§8.3).
	Дать хлебу остыть несколько часов.
	Загрузить буханку подходящих размеров.
	Загрузить достаточно твердую буханку.
	Если лезвия сместились, отрегулировать лезвия и рамки.
<b>Буханка вибрирует между лезвиями.</b>	Если лезвия сместились, отрегулировать лезвия и рамки.
<b>Хлеб нарезается слишком медленно.</b>	Проверить, не нужно ли заменить лезвия (§8.3).
<b>Буханка разрывается.</b>	Если лезвия сместились, отрегулировать лезвия и рамки.
	Проверить, не нужно ли заменить лезвия (§8.3).
<b>Буханка выходит слишком медленно или остается между лезвиями.</b>	Если мигает зеленый индикатор, обратиться к аккредитованному специалисту.
<b>Буханка выходит из лезвий раздавленной.</b>	Убедиться, что нажат рычаг толкателя последней буханки.

**ВНИМАНИЕ!** Перед выполнением любых ремонтных работ машина должна быть отключена от электроснабжения.



Если проблема не устраняется, обратитесь к вашему техническому специалисту.

**11 СПИСОК КОМПЛЕКТУЮЩИХ НА ИЗОБРАЖЕНИЯХ**

<b>Изображение</b>	<b>Номер</b>	<b>Название</b>
1	1	Загрузочная рампа
	2	Защита загрузочной ramпы
	3	Устройство для упаковки в пакеты
	4	Панель управления
	5	Кожух
	6	Пресс для буханок
	7	Выходная полка
	8	Направляющая выходной полки
	9	Передняя дверца
	10	Заблокированные колесики
	11	Направляющая загрузочной ramпы
	12	Рычаг толкателя для буханок
	13	Регулировочное колесико на кожухе
	14	Регулировочное колесико пресса для буханок
	15	Бак для крошек
2	16	Верхняя задняя запирающая пластина
	17	Нижняя задняя запирающая пластина
	18	Кабель питания
	19	Толкатель для буханок
3	20	Рабочая зона
4	21	Кнопка воздухоудвки (опция)
	22	Кнопка «ПУСК»
	23	Кнопка «СТОП»
	24	Кнопка аварийного останова
7	25	Воздуходувка для открывания пакетов
10	26	Пиктограмма «Опасность поражения электрическим током»
	27	Пиктограмма «Опасность пореза»
	28	Пиктограмма «Опасность прикосновения к механическим элементам»
	29	Электросхема
11	30	Регулируемый упор



<b>1</b>	<b>ANTES DE LA PUESTA EN SERVICIO.....</b>	<b>64</b>
<b>2</b>	<b>GARANTÍA .....</b>	<b>64</b>
<b>3</b>	<b>ADVERTENCIAS.....</b>	<b>65</b>
<b>4</b>	<b>CARACTERÍSTICAS TÉCNICAS.....</b>	<b>66</b>
4.1	Características técnicas.....	66
4.2	Detalle de materiales en contacto directo con el pan.....	66
<b>5</b>	<b>INSTALACIÓN Y PUESTA EN SERVICIO.....</b>	<b>66</b>
5.1	Desembalaje de la máquina:.....	66
5.2	Ubicación: .....	67
5.3	Conexión eléctrica:.....	67
5.4	Puesta en servicio: .....	68
5.5	Peligro: .....	68
<b>6</b>	<b>CUADRO DE CONTROL Y DE SEGURIDAD.....</b>	<b>68</b>
6.1	Cuadro de control:.....	68
6.2	Área de trabajo: .....	68
6.3	Cuadro de seguridad:.....	68
<b>7</b>	<b>USO.....</b>	<b>69</b>
<b>8</b>	<b>LIMPIEZA.....</b>	<b>69</b>
8.1	Diaria por un usuario formado. ....	69
8.2	Cada 25 000 cortes y/o 1 vez al año como mínimo, por un agente autorizado .....	69
8.3	Cambio de las cuchillas.....	70
<b>9</b>	<b>CONSUMIBLES.....</b>	<b>71</b>
9.1	Lista de CONSUMIBLES.....	71
<b>10</b>	<b>INCIDENTES DE FUNCIONAMIENTO .....</b>	<b>71</b>
<b>11</b>	<b>LISTA DE COMPONENTES DE LAS FIGURAS.....</b>	<b>72</b>

## 1 ANTES DE LA PUESTA EN SERVICIO

---

Gracias por elegir una solución JAC. Lea con atención este manual de uso antes de instalar y poner en servicio esta máquina. De esta forma, usted puede protegerse y evitar el deterioro de su máquina.

Este manual hace referencia a distintas figuras con el fin de facilitar la comprensión de las instrucciones. Estas figuras se encuentran al final del manual. Consúltelas cuando vea los siguientes símbolos: fig.X, n°Y.

**Para que el funcionamiento de su máquina sea satisfactorio a lo largo de los próximos años, le invitamos a que lea los siguientes consejos:**

- Solicite ayuda a su agente autorizado para la instalación, la puesta en servicio y el seguimiento.
- Para poder beneficiarse de la garantía de 5 años (consulte las condiciones recogidas a continuación), solicite a su distribuidor que complete la tarjeta de mantenimiento al instalar su máquina. Esta tarjeta de mantenimiento se encuentra en la parte trasera de su máquina.

## 2 GARANTÍA

---



**JAC ofrece una garantía de 5 años en todos sus productos.**

Esta garantía es válida para todas las piezas de su máquina, incluidas las electrónicas, excluyendo los consumibles. La garantía entra en vigor a partir de la fecha de instalación del material.

**Con las siguientes condiciones restrictivas:**

- El material debe haberse adquirido a un revendedor autorizado.
- La instalación deberá efectuarla un agente autorizado.
- El material debe utilizarse conforme a las indicaciones del manual de uso y para la finalidad para la que ha sido fabricado.
- El mantenimiento diario del material debe efectuarse conforme a las indicaciones del manual de uso.
- El agente autorizado debe hacer un seguimiento del mantenimiento conforme a las especificaciones de mantenimiento, como mínimo, una vez al año (mantenimiento a cargo del usuario).
- Deben utilizarse exclusivamente piezas originales JAC.



**Si un agente autorizado no efectúa el seguimiento del mantenimiento y/o la tarjeta de mantenimiento no está cumplimentada correctamente, la garantía se limita a un año.**

**Esta garantía no cubre:**

- La sustitución de consumibles (§9).
- Las piezas que nuestros servicios no reconozcan como defectuosas.
- Los problemas derivados de un uso anormal del material.
- Los problemas derivados de una instalación no efectuada por un agente autorizado.



- Las piezas o los problemas causados por daños en el transporte o por un mantenimiento inadecuado.

**Una reparación y/o una sustitución de piezas defectuosas efectuadas durante el periodo de garantía no supondrá la prolongación de dicha garantía.**

---

### 3 ADVERTENCIAS

---

Es muy importante conservar este manual de uso junto con el aparato para futuras consultas. Si este aparato se vende o se transfiere a otra persona, asegúrese de que se le entrega también el manual de uso para que el usuario pueda estar informado de su funcionamiento y de las advertencias que se recogen aquí.



**Estas advertencias se dan por su seguridad y la de los demás. Le rogamos que las lea con atención antes de instalar y utilizar el aparato.**

Esta máquina está diseñada para su uso por adultos autorizados. Asegúrese de que los niños no la toquen o que no la usen como un juguete.

Esta máquina está destinada únicamente a un uso profesional.

Es peligroso modificar o intentar modificar las características de esta máquina.

Después de instalar la máquina, asegúrese de que no aplasta el cable de alimentación.

Siga las instrucciones de uso.

Esta máquina debe almacenarse y utilizarse dentro de un local, protegida de la humedad y del calor.

Esta máquina debe estar suficientemente iluminada para efectuar el trabajo.

Esta máquina tiene un nivel sonoro inferior a 75 dB(A) según la norma EN ISO 3744.

Esta máquina debe utilizarla una sola persona a la vez (salvo indicación contraria).

Esta máquina está diseñada para el corte de panes cocidos y templados.



**Esta máquina no está destinada a los siguientes panes y materiales:**

- Panes calientes, panes duros.
- Panes congelados o parcialmente descongelados.
- Panes completos con una corteza dura y otros tipos de pan con corteza dura.
- Panes de centeno.
- Productos no comestibles como la madera, el plástico y materiales similares.
- Cualquier otro alimento que no forme parte de la categoría de panes o bizcochos.

**La máquina puede sufrir daños al cortar panes o materiales no permitidos.**



**Desconecte siempre la toma de corriente antes de proceder a la limpieza interior y exterior del aparato y a las operaciones de mantenimiento.**

Este aparato es pesado. Tome todas las precauciones de seguridad durante su mantenimiento.

---

## 4 CARACTERÍSTICAS TÉCNICAS

---

### 4.1 Características técnicas

	<b>Chute</b>
<b>Altura (mm)</b>	1834
<b>Anchura (mm)</b>	654
<b>Profundidad (mm)</b>	907
<b>Anchura del canal de entrada (mm)</b>	440
<b>Altura del canal de entrada (mm)</b>	140
<b>Embalaje (mm)</b>	800 x 860 x 1900
<b>Peso neto (kg)</b>	230
<b>Peso neto + embalaje (kg)</b>	250
<b>Potencia del motor (kW)</b>	0,49
<b>Tipo de motor</b>	Monofásico o trifásico
<b>220v - 50Hz (A)</b>	5
<b>380v - 50Hz (A)</b>	3,2
<b>Capacidad (panes/hora)</b>	200<500
<b>Nivel sonoro (dB)</b>	<75

<b>Motor reforzado</b>	Opcional
<b>Soplador embolsador</b>	Opcional
<b>Cuchillas especiales</b>	Opcional

### 4.2 Detalle de materiales en contacto directo con el pan.

**Rampa de carga:** INOX 430  
**Empujador del último pan:** INOX 430  
**Rodillo:** INOX 430  
**Cuchillas:** Acero  
**Tabla de salida:** INOX 430

---

## 5 INSTALACIÓN Y PUESTA EN SERVICIO

---

### 5.1 Desembalaje de la máquina:

Las máquinas que salen de nuestros talleres se entregan en palés atados y protegidos con cartón. Antes de realizar cualquier acción, debe observarse el embalaje e informar al transportista de cualquier daño debido al transporte.

- A. Quite el cartón y el plástico de embalaje de la máquina.
- B. Quite las cinchas prestando especial atención a su distensión al seccionarlas.
- C. Separe la máquina del palé levantando los listones de madera que bloquean las ruedas.
- D. Baje la máquina del palé. Efectúe esta operación entre dos personas como mínimo para amortiguar al máximo el contacto con el suelo.
- E. Coloque el tope ajustable del embolsador en el embolsador (LCS) (fig.11, n°30).

**Después de desembalar su máquina, compruebe que no ha sufrido daños durante el transporte. Infórmenos de cualquier anomalía.**

### 5.2 Ubicación:

Para obtener un rendimiento excelente y una fiabilidad a largo plazo, elija una ubicación que esté:

Bien ventilada, protegida de los rayos directos del sol y alejada de fuentes de calor, con una superficie plana y robusta y sin vibraciones.

### 5.3 Conexión eléctrica:

**IMPORTANTE:** La toma de tierra es obligatoria.

Es aconsejable proteger la instalación con un fusible y un disyuntor diferencial.

La instalación eléctrica que suministra energía a la máquina debe estar protegida tal y como se indica a continuación:

- América del Norte: Protección 15 A.
- Resto del mundo: Protección 16 A.

Las máquinas equipadas con un variador deben estar conectadas obligatoriamente a una caja de derivación en una línea equipada con un diferencial de 300 mA.

Nota: La garantía no cubrirá cualquier problema ocasionado por una conexión de otro tipo.

Antes de conectar su máquina a la red y con el fin de evitar una avería del motor al encenderla, es importante comprobar la adecuación de la red de alimentación a las características de la máquina (consulte la placa informativa de la máquina).

Este aparato cumple con las directivas sobre máquinas 2006/42, 2006/95 y 2004/108 y lleva el marcado CE que lo certifica.

Consulte los pictogramas de seguridad que figuran en la máquina:



Pictograma que indica un riesgo de corte. Lo encontrará en la parte delantera de la máquina, alrededor de la zona de colocación del pan (fig.10, n°27).



Pictograma que indica un riesgo de electrocución. Desconecte la máquina antes de hacer cualquier intervención. Lo encontrará en la parte trasera de la máquina,

cerca del cable de alimentación y dentro de la máquina en la caja eléctrica (fig.10, n°26).



Pictograma que indica un riesgo de contacto con las partes mecánicas en movimiento. Lo encontrará en la puerta delantera (fig.10, n°28).

Encontrará el esquema eléctrico de la máquina en la parte trasera de la puerta de la caja eléctrica (fig.10, n°29).

#### **5.4 Puesta en servicio:**

Antes de la puesta en servicio, asegúrese de que no queda ningún objeto sobrante en las partes en movimiento de la máquina.

Para utilizar la máquina, consulte el apartado «Uso».

#### **5.5 Peligro:**

En caso de peligro para el usuario o para la máquina, debe utilizar el interruptor general para cortar la alimentación de la máquina (fig.4, n°24).

Quite el enchufe de la toma de corriente antes de efectuar cualquier operación de mantenimiento y de limpieza.

No toque las cuchillas incluso si la máquina está parada (fig.2, n°18).

Para cambiar las cuchillas, solicite la intervención de su distribuidor autorizado.

Lleve siempre guantes de protección anticorte al sustituir las cuchillas o cuando trabaje cerca de las cuchillas.

Cualquier operación de mantenimiento o de sustitución de piezas debe efectuarla una persona cualificada.

---

## **6 CUADRO DE CONTROL Y DE SEGURIDAD**

---

### **6.1 Cuadro de control:**

Su cortadora está equipada de serie con tres botones:

Un botón de puesta en marcha (fig.4, n°22), un botón de detención (fig.4, n°23) y un botón de detención de emergencia.

Opcionalmente, puede estar equipada con el siguiente botón adicional:

- inicio de soplador (en una máquina equipada con soplador) (fig.4, n°21)

### **6.2 Área de trabajo:**

El área de trabajo está situada en la parte delantera de la máquina (fig.3, n°20)

### **6.3 Cuadro de seguridad:**

Esta máquina está equipada con:



**Un sistema de detección de emergencia que detiene la máquina al accionarlo.** (fig.4, nº24).

---

## 7 USO

---

Para utilizar la máquina, las ruedas provistas de freno deben estar bloqueadas. (fig.1, nº10).

**Al principio del día, encienda la máquina con ayuda del botón de detención de emergencia (fig.4, nº24).**

### Procedimiento de uso (fig.5,6)

- A. Ajuste las guías de la rampa y la o las guías de la tabla de salida con las llaves para adaptarlas a la longitud de los panes que se van a cortar.
- B. Ajuste el rodillo con la llave situada a la derecha de la máquina para adaptarla a la altura de los panes que se van a cortar.
- C. Cargue los panes en la rampa de carga.
- D. Pulse el botón verde para poner en marcha la máquina, la gravedad y el peso de los panes cargados en la rampa empujarán los panes hacia las cuchillas para que los corten.
- E. Cuando entre el último pan en las cuchillas, accione la palanca del empujador del último pan para sacar las cuchillas y recoger el pan cortado.
- F. Recoja el pan en la tabla de salida.

OPCIONAL: Para controlar el soplador, pulse el botón blanco (fig.7).

Al final del día, pulse el botón rojo **de detención de emergencia** (fig.4, nº24) para apagar la máquina.

**Recomendación:** Después de los primeros días de trabajo, pida a una persona cualificada que compruebe la tensión de las cuchillas.

**Capacidad:** Número de panes cortados por hora: 500 (según el tipo de pan).

Tamaño del pan (L x A) (cm): mín. 22 x 6 - máx. 44 x 14.

---

## 8 LIMPIEZA

---

### 8.1 Diaria por un usuario formado.

- A. Compruebe si debe vaciar la bandeja de migas
- B. Limpie la tabla y la rampa con un cepillo
- C. Utilice un paño seco para limpiar el interior
- D. Para la limpieza exterior, utilice un paño húmedo

### 8.2 Cada 25 000 cortes y/o 1 vez al año como mínimo, por un agente autorizado

- A. Quite el enchufe de la toma de corriente (fig.1, nº10)
- B. Compruebe el estado de las cuchillas de corte
- C. Si se percibe una bajada de la calidad de corte, es necesario sustituir las cuchillas de corte (referencia JAC: 6100012 del catálogo de Piezas de Recambio JAC)
- D. Si se deben cambiar, hágalo de acuerdo con el procedimiento de cambio de las cuchillas de corte (§8.3)

- E. NOTA: No tense las cuchillas en exceso, ya que podría deformar los marcos.
- F. Limpie con un cepillo y aspire el interior de la máquina.
- G. Compruebe el estado de los rodamientos y engráselos.
- H. Engrase las articulaciones del elevador.

Compruebe que su agente autorizado registre su intervención en su tarjeta de mantenimiento para conservar su garantía de 5 años.

### **8.3 Cambio de las cuchillas.**

(fig.8,9)

Lleve siempre guantes de protección anticorte (Norma EN 388: 2003 índice B= 5) y calzado de seguridad al sustituir las cuchillas o cuando trabaje cerca de la cuchilla.

Asegúrese de que el enchufe de su máquina está desconectado de la corriente (fig.1, n°10).

- A. Afloje los 6 tornillos que sujetan la chapa trasera superior.
- B. Afloje las dos tuercas que sujetan la pinza de la tabla bajo de la rampa de carga por dentro de la máquina.
- C. Afloje los 4 tornillos que sujetan la protección de la rampa y quite la protección de la rampa.
- D. Afloje los 2 tornillos hexagonales huecos y las dos llaves que sujetan el forro y el embolsador.
- E. Abra el forro y afloje los 3 tornillos hexagonales huecos que sujetan la tabla delantera.
- F. Quite la tabla delantera.
- G. Afloje el tornillo **A** que sujeta la bieleta del marco delantero.
- H. Empuje el marco hacia adelante. Sustituya las cuchillas del marco trasero (coloque algo para protegerse sobre las cuchillas del marco delantero). Afloje los tornillos **B** hexagonales huecos que tensan las cuchillas. Sustituya las cuchillas comprobando que estén bien colocadas en los pasadores de los balancines. Vuelva a tensar las cuchillas apretando los tornillos **B**, teniendo como referencia para la tensión las cuchillas que han quedado en el marco.

**Para no deformar el marco y evitar roturas peligrosas, sustituya solamente entre 1 y 3 cuchillas a la vez alternando de izquierda a derecha.**

Vuelva a empezar el procedimiento a partir del punto H para el marco delantero y vuelva a colocar el marco delantero y los elementos de protección. Al volver a montarla, compruebe que ha deslizado bien la tabla delantera bajo la tabla trasera a la altura de las cuchillas.

Conecte la máquina a la red eléctrica, la máquina está lista.

Compruebe que su agente autorizado registre su intervención en su tarjeta de mantenimiento para conservar su garantía de 5 años.

## 9 CONSUMIBLES

Al pedir una pieza de recambio, compruebe con su agente autorizado de qué pieza se trata con base en el catálogo de piezas de recambio del fabricante.

Indique siempre el número de máquina tal y como se indica en la placa informativa.

Su agente efectuará el pedido a JAC.

### 9.1 Lista de CONSUMIBLES

CÓDIGO DE ARTÍCULO	ETIQUETA	MODELO
6110002	CUCHILLA JAC 10 MM/0,5 MM	TODOS
5740162	BIELETA DE MARCO CON RODAMIENTOS	TODOS
5315013	MUELLE DE GAS 40 N	TODOS
5310019	MUELLE DEL RODILLO	TODOS
7240031	CORREA	TODOS

## 10 INCIDENTES DE FUNCIONAMIENTO

Problema	Comprobación
<b>La máquina no gira</b>	Conecte la máquina con el cable (fig.2, n°18)
	Desbloquee la parada de emergencia (fig.1, n°10)
	Contacte con su agente autorizado si el indicador verde parpadea
	Cierre la puerta delantera
<b>La máquina funciona, pero los panes están dañados o cortados de forma irregular</b>	Compruebe si es necesario sustituir las cuchillas (§8.3)
	Deje que el pan se enfríe unas horas
	Introduzca un pan con el tamaño adecuado
	Introduzca un pan lo suficientemente firme
Si las cuchillas están desalineadas, ajuste las cuchillas y los marcos	
<b>El pan vibra en las cuchillas</b>	Si las cuchillas están desalineadas, ajuste las cuchillas y los marcos
<b>El pan se corta demasiado lento</b>	Compruebe si es necesario sustituir las cuchillas (§8.3)
<b>El pan se rompe</b>	Si las cuchillas están desalineadas, ajuste las cuchillas y los marcos
	Compruebe si es necesario sustituir las cuchillas (§8.3)
	Contacte con su agente autorizado si el indicador verde parpadea
<b>El pan sale muy lentamente o se queda en las cuchillas</b>	Compruebe que la palanca del empujador del último pan está bien accionada
<b>El pan está aplastado al salir de las cuchillas</b>	Compruebe que la palanca del empujador del último pan está bien accionada

**ATENCIÓN:** Para cualquier intervención, la máquina deberá estar desenchufada obligatoriamente.



Si el problema persiste, póngase en contacto con su técnico.

---

**11 LISTA DE COMPONENTES DE LAS FIGURAS**

---

<b>Figura</b>	<b>Número</b>	<b>Nombre</b>
1	1	Rampa de carga
	2	Protección de la rampa de carga
	3	Embolsador
	4	Cuadro de control
	5	Forro
	6	Rodillo
	7	Tabla de salida
	8	Guía de la tabla de salida
	9	Puerta delantera
	10	Ruedas con freno
	11	Guía de la rampa de carga
	12	Palanca del empujador de pan
	13	Llaves del forro
	14	Llave de ajuste del rodillo
	15	Bandeja de migas
2	16	Chapa de cierre trasera superior
	17	Chapa de cierre trasera inferior
	18	Cable de alimentación
	19	Empujador de pan
3	20	Área de trabajo
4	21	Botón de soplador (opcional)
	22	Botón de inicio
	23	Botón de detención
	24	Botón de detención de emergencia
7	25	Soplador embolsador
10	26	Señal «riesgo de electrocución»
	27	Señal «riesgo de corte»
	28	Señal «contacto mecánico»
	29	Esquema eléctrico
11	30	Tope ajustable



<b>1</b>	<b>PRIMA DELLA MESSA IN FUNZIONE .....</b>	<b>74</b>
<b>2</b>	<b>GARANZIA.....</b>	<b>74</b>
<b>3</b>	<b>AVVERTENZE.....</b>	<b>75</b>
<b>4</b>	<b>CARATTERISTICHE TECNICHE .....</b>	<b>76</b>
4.1	Caratteristiche tecniche.....	76
4.2	Dettaglio materiali a contatto con il pane .....	76
<b>5</b>	<b>INSTALLAZIONE E MESSA IN FUNZIONE .....</b>	<b>77</b>
5.1	Disimballo della macchina: .....	77
5.2	Posizionamento:.....	77
5.3	Collegamento elettrico:.....	77
5.4	Messa in servizio:.....	78
5.5	Pericolo: .....	78
<b>6</b>	<b>ORGANO DI COMANDO E DI SICUREZZA .....</b>	<b>78</b>
6.1	Organo di comando: .....	78
6.2	Zona di lavoro:.....	79
6.3	Organi di sicurezza: .....	79
<b>7</b>	<b>UTILIZZO.....</b>	<b>79</b>
<b>8</b>	<b>MANUTENZIONE.....</b>	<b>79</b>
8.1	Quotidiana da parte di un utilizzatore addestrato.....	79
8.2	Ogni 25.000 tagli e/o 1 volta l'anno almeno, da parte di un tecnico autorizzato .....	80
8.3	Sostituzione delle lame.....	80
<b>9</b>	<b>COMPONENTI DI CONSUMO.....</b>	<b>81</b>
9.1	Elenco dei COMPONENTI DI CONSUMO.....	81
<b>10</b>	<b>INCIDENTI DI FUNZIONAMENTO .....</b>	<b>81</b>
<b>11</b>	<b>ELENCO DEI COMPONENTI INDICATI NELLE FIGURE .....</b>	<b>82</b>

---

## 1 PRIMA DELLA MESSA IN FUNZIONE

---

Grazie per aver scelto una soluzione JAC. Si invita a leggere con attenzione queste note informative prima di procedere all'installazione e alla messa in servizio di questa macchina. Contengono informazioni su come proteggersi e come evitare il deterioramento della macchina.

Queste informazioni fanno riferimento a diverse figure, in modo da facilitare la comprensione delle istruzioni. Le figure si trovano al fondo delle informazioni. Si invita a farvi riferimento quando si incontrano i seguenti simboli (fig. X, n. Y).

**Per una totale soddisfazione dall'utilizzo della macchina nei prossimi anni, si invita a tenere presenti i seguenti consigli:**

- Farsi aiutare dal tecnico autorizzato per l'installazione, la messa in servizio e il follow-up.
- Per beneficiare della garanzia di 5 anni (vedere le condizioni riportate in seguito), far compilare dal distributore, il libretto di manutenzione al momento dell'installazione della macchina. Il libretto di manutenzione si trova nella parte posteriore della macchina.

---

## 2 GARANZIA

---



**JAC offre una garanzia di 5 anni su tutti i suoi prodotti.**

Questa garanzia è valida su tutte le parti della macchina, comprese quelle elettroniche, a parte i componenti di consumo. La garanzia entra in vigore a partire dalla data di installazione del materiale.

**Secondo le seguenti condizioni restrittive:**

- Materiale acquistato presso un rivenditore autorizzato.
- Installazione effettuata da un tecnico autorizzato.
- Utilizzo del materiale conformemente alle indicazioni sul modo di utilizzo e nel rispetto della finalità per la quale è stato fabbricato.
- Materiale quotidianamente mantenuto nel rispetto delle indicazioni delle modalità di utilizzo.
- Manutenzioni successive da parte del tecnico autorizzato conformemente alle specifiche di manutenzione con, al minimo, una manutenzione l'anno (manutenzione a carico dell'utente).
- L'utilizzo esclusivo di parti originali JAC.



**Se non si eseguono interventi di manutenzione da parte di un tecnico autorizzato e/o il libretto di manutenzione non è correttamente completato, la garanzia si limita ad un anno.**

**Questa garanzia non copre:**

- La sostituzione dei componenti di consumo (§9).
- Le parti non riconosciute difettose dai nostri servizi.
- I problemi derivanti da un utilizzo anomalo del materiale.
- I problemi derivanti da un'installazione non effettuata da un tecnico autorizzato.

- Le parti o i problemi derivanti da un danno di trasporto o da una manutenzione inadeguata.

**Una riparazione e/o una sostituzione di parti difettose effettuate durante il periodo di garanzia non producono l'effetto di prolungare detta garanzia.**

---

### 3 AVVERTENZE

---

È molto importante che le istruzioni per l'utilizzo siano conservate con l'apparecchio per ogni consultazione futura. Se questo macchinario deve essere venduto o trasferito ad un'altra persona, accertarsi che le istruzioni per l'utilizzo siano consegnate all'utente destinatario in modo che possa essere informato sul funzionamento e sui messaggi di avvertenza ad esso riferiti.



**Tali avvertenze sono fornite per la vostra sicurezza e per quella altrui. Si prega di leggerle con attenzione prima di installare e utilizzare il macchinario.**

Questa macchina è stata progettata per essere utilizzata da adulti autorizzati. Accertarsi quindi che i bambini non le si avvicinino e che non la utilizzino come un giocattolo.

Questa macchina è destinata unicamente ad un uso professionale.

È pericoloso modificare o provare a modificare le caratteristiche di questa macchina.

Accertarsi dopo averla installata, che non appoggi sul cavo di alimentazione.

Seguite le istruzioni fornite per l'utilizzo.

Questa macchina deve essere sistemata e utilizzata all'interno di un locale, al riparo da umidità e calore.

Deve essere illuminata a sufficienza per poter funzionare.

La macchina produce un livello di rumore inferiore a 75 dB(A), conforme alla norma EN ISO 3744.

La macchina deve essere utilizzata da una sola persona per volta (salvo prescrizioni contrarie).

Questa macchina è destinata al taglio del pane cotto e raffreddato.



**Questa macchina non è destinata ai seguenti materiali e tipi di pane:**

- Pane caldo, pane raffermo.
- Pane congelato, o parzialmente scongelato.
- Pane integrale con una crosta dura e altri tipi di pane a crosta dura.
- Pane di segale.
- Prodotti non commestibili come legno, plastica e materiali simili.
- Ogni alimento che non fa parte della categoria dei tipi di pane o delle torte.



**La macchina si può danneggiare con il taglio di pani o materiali non autorizzati.**

**Staccare sempre il cavo di alimentazione prima di procedere alla pulizia interna/esterna del macchinario e alle operazioni di manutenzione.**

Questo macchinario è pesante. Adottare tutte le precauzioni di sicurezza al momento della manutenzione.

---

## **4 CARATTERISTICHE TECNICHE**

---

### **4.1 Caratteristiche tecniche**

	<b>Chute</b>
<b>Altezza (mm)</b>	1834
<b>Larghezza (mm)</b>	654
<b>Profondità (mm)</b>	907
<b>Larghezza del canale d'ingresso (mm)</b>	440
<b>Altezza del canale d'ingresso (mm)</b>	140
<b>Imballaggio (mm)</b>	800 x 860 x 1900
<b>Peso netto (kg)</b>	230
<b>Peso NETTO + imballaggio (kg)</b>	250
<b>Potenza motore (kW)</b>	0,49
<b>Tipo di motore</b>	Monofase o trifase
<b>220v - 50Hz (A)</b>	5
<b>380v - 50Hz (A)</b>	3,2
<b>Capacità (forme di pane/ora)</b>	200<500
<b>Livello sonoro (dB)</b>	<75

<b>Motore rinforzato</b>	opzionale
<b>Soffiatrice-insacchettatrice</b>	opzionale
<b>Coltelli speciali</b>	opzionale

### **4.2 Dettaglio materiali a contatto con il pane.**

**Rampa di carico:** INOX 430

**Spingi ultime forme di pane:** INOX 430

**Premipane:** INOX 430

**Lame:** Acciaio

**Ripiano d'uscita:** INOX 430

### 5.1 Disimballo della macchina:

Le macchine sono consegnate, ex fabrica, su pallet, legate con cinghie e protette con pannelli di cartone. Prima di tutto, occorre esaminare l'imballaggio e ogni danno dovuto al trasporto deve essere dichiarato direttamente all'addetto alla consegna.

- A. Togliere il cartone e il sacchetto d'imballaggio dalla macchina.
- B. Togliere le cinghie facendo particolare attenzione allo sgancio di queste ultime durante il taglio.
- C. Staccare la macchina dal pallet togliendo i listelli di legno che bloccano le ruote.
- D. Far scendere la macchina dal pallet. Accertarsi di essere almeno in due per questa operazione per ammortizzare al meglio il contatto con il terreno.
- E. Posizionare il riscontro regolabile dell'insacchettatrice su quest'ultima (LCS) (fig.11, n°30)

**Dopo il disimballo della macchina, verificare che non abbia subito danni durante il trasporto. Segnalateci ogni anomalia.**

### 5.2 Posizionamento:

Per ottenere performance eccellenti e affidabilità a lungo termine, scegliere una posizione:

Ben ventilata, al riparo dai raggi solari diretti e lontano da fonti di calore, con una superficie piana, robusta e priva di vibrazioni.

### 5.3 Collegamento elettrico:

**IMPORTANTE:** Messa a terra obbligatoria.

Si consiglia di proteggere l'impianto con un fusibile e un salvavita.

L'impianto elettrico che alimenta la macchina deve essere protetto secondo quanto indicato qui di seguito:

- Nord America: Protezione 15 A;
- Resto del mondo: Protezione 16 A.

Le macchine dotate di variatore, devono necessariamente essere collegate ad una scatola di derivazione su di una linea dotata di salvavita da 300 mA.

Nota: Ogni problema derivante da un altro tipo di collegamento non sarà preso in considerazione ai fini della garanzia.

Prima di collegare la macchina alla rete e onde evitare una dismissione del motore all'avvio, è importante verificare la compatibilità della rete di alimentazione con le caratteristiche della macchina (vedere la relativa targa segnaletica).

Questo apparecchio è conforme alle direttive macchine 2006/42, 2006/95, 2004/108 e reca la marcatura CE che attesta detta conformità.

Vi invitiamo a prendere visione della segnaletica di sicurezza che figura sulla macchina:



Segnale che indica un rischio di taglio. Si trova davanti alla macchina nella zona di deposito del pane (fig.10, n. 27).



Segnale che indica un rischio di folgorazione. Scollegare il cavo di alimentazione prima di qualsiasi intervento sulla macchina. Si trova nella parte posteriore della macchina vicino al cavo di alimentazione e all'interno della macchina sul quadro elettrico (fig.10, n. 26).



Segnale che indica un rischio di contatto con la meccanica in movimento. Si trova sulla porta anteriore (fig.10, n. 28).

Sul retro della porta del quadro elettrico si trova lo schema elettrico della macchina (fig.10, n. 29).

#### **5.4 Messa in servizio:**

Prima della messa in servizio, accertarsi che non vi siano oggetti estranei sulle parti in movimento della macchina.

Per l'utilizzo della macchina, fare riferimento al capitolo "Utilizzo".

#### **5.5 Pericolo:**

In caso di pericolo per l'utente o per la macchina, utilizzare l'interruttore generale per interrompere l'alimentazione della macchina (fig. 4, n. 24).

Estrarre la spina della presa elettrica prima di ogni operazione di manutenzione o di assistenza.  
Non toccare le lame, anche all'arresto (fig. 2, n. 18).

Per la sostituzione delle lame, rivolgersi al distributore autorizzato.

Indossare sempre guanti di protezione anti-taglio per la sostituzione delle lame o per un'operazione nelle vicinanze delle lame.

Ogni operazione di manutenzione o sostituzione delle parti deve essere effettuata da una persona qualificata.

---

## **6 ORGANO DI COMANDO E DI SICUREZZA**

### **6.1 Organo di comando:**

La taglierina è dotata di una serie di tre pulsanti:

Un pulsante di avvio (fig. 4,n. 22), un pulsante di arresto (fig. 4,n. 23) e un pulsante di arresto d'emergenza (fig. 4, n. 24)

Può essere anche dotata del seguente pulsante opzionale:

- avvio soffiatrice (sulla macchina dotata di soffiatrice) (fig. 4, n. 21)



## 6.2 Zona di lavoro:

La zona di lavoro si trova davanti alla macchina (fig. 3 n. 20).

## 6.3 Organi di sicurezza:

Questa macchina è dotata:

**Di un arresto d'emergenza che ferma la macchina quando viene azionato.** (fig. 4, n. 24)

---

## 7 **UTILIZZO**

---

Per l'utilizzo, le rotelle provviste di freno devono essere bloccate. (fig. 1, n. 10)

**Ad inizio giornata, alimentare la macchina tramite l'arresto d'emergenza (fig. 4, n. 24).**

### **Procedura di utilizzo (fig. 5, 6)**

- A. Regolare le guide della rampa e le guide del ripiano d'uscita servendosi delle rotelle, al fine di adattare alla lunghezza delle forme di pane da tagliare.
- B. Regolare lo spingipane con la manopola situata a destra della macchina, in modo da adattarlo all'altezza delle forme di pane da tagliare.
- C. Caricare le forme di pane sulla rampa di caricamento.
- D. Premere il pulsante verde per avviare la macchina, la gravità e il peso delle forme di pane caricate sulla rampa spingono il pane verso le lame e ne provocano il taglio.
- E. Quando l'ultima forma di pane entra tra le lame, azionare la leva di spinta ultima forma di pane per farla uscire dalle lame e recuperarla tagliata.
- F. Recuperare le forme di pane sul ripiano di uscita.

OPZIONALE: Per azionare la soffiatrice premere il pulsante bianco (fig. 7).

A fine giornata, premere il pulsante rosso **d'arresto d'emergenza** (fig. 4,n. 24) per togliere l'alimentazione alla macchina.

**Consiglio:** Dopo i primi giorni di lavoro, far controllare la tensione delle lame da una persona qualificata.

**Capacità:** Numero di forme di pane tagliate all'ora: 500 (a seconda del tipo di pane).

Dimensioni della forma (L x h) (cm): min. 22 x 6 - max. 44 x 14

---

## 8 **MANUTENZIONE**

---

### 8.1 Quotidiana da parte di un utilizzatore addestrato.

- A. Verificare se occorre svuotare il cassetto raccogli-briciole
- B. Pulire il ripiano e la rampa con una spazzola
- C. Utilizzare un panno asciutto per la pulizia interna
- D. Per la manutenzione esterna, utilizzare un panno umido

## **8.2 Ogni 25.000 tagli e/o 1 volta l'anno almeno, da parte di un tecnico autorizzato.**

- A. Staccare la presa della corrente (fig.1, n°10)
- B. Verificare lo stato delle lame da taglio.
- C. Se si nota un deterioramento della qualità del taglio occorre procedere alla sostituzione delle lame da taglio (riferimento JAC: 6100012 del catalogo di Parti di ricambio JAC).
- D. Se sono da cambiare, sostituire le lame nel rispetto della procedura di sostituzione delle lame da taglio (§8.3).
- E. N.B.: Non tendere eccessivamente le lame, altrimenti si rischia di deformare i telai.
- F. Pulire con una spazzola e aspirare l'interno della macchina.
- G. Verificare lo stato dei cuscinetti, quindi lubrificarli.
- H. Ingrassare le articolazioni del martinetto.

Verificare attentamente che il tecnico autorizzato registri l'intervento sul libretto di manutenzione al fine di mantenere la garanzia di 5 anni.

## **8.3 Sostituzione delle lame.**

(fig.8,9)

Far sempre attenzione ad indossare guanti di protezione anti-taglio (Norma EN 388: 2003 indice B= 5) e scarpe di sicurezza al momento della sostituzione delle lame o di un'operazione vicino alle lame. Dopo assicurarsi che la spina della macchina sia del tutto scollegata dal settore (fig.1, n°10).

- A. Svitare le 6 viti che mantengono la lamiera posteriore superiore.
- B. Svitare i due dadi che mantengono la morsa sotto la rampa di carico dall'interno della macchina.
- C. Svitare le 4 viti che mantengono la protezione della rampa e togliere la protezione.
- D. Svitare le 2 viti a esagono incassate e le due rotelle che mantengono la cuffia anteriore e l'insacchettatrice.
- E. Aprire la cuffia e svitare le 3 viti a esagono incassate che mantengono il ripiano anteriore.
- F. Estrarre il ripiano anteriore.
- G. Svitare la vite **A** che mantiene la bielletta del telaio anteriore.
- H. Adagiare il telaio in avanti. Sostituire le lame del telaio posteriore (proteggersi dalle lame del telaio anteriori). Svitare le viti **B** a esagono incassate che tendono le lame. Sostituire le lame controllando che siano ben posizionate nella sporgenza dei bilancieri. Ridistendere le lame serrando le viti **B**, avendo come riferimento per la tensione le lame rimaste sul telaio.

**Per non deformare il telaio e non rischiare rotture pericolose, non sostituire più di 1 - 3 lame per volta alternando da sinistra a destra.**

Ricominciare la procedura dal punto H. per il telaio anteriore e rimontare il telaio anteriore e gli elementi di rivestimento. Al rimontaggio, verificare di aver fatto scorrere il ripiano anteriore sotto quello posteriore a livello delle lame.

Collegare la macchina alla rete elettrica, la macchina è pronta.

Verificare attentamente che il tecnico autorizzato registri l'intervento sul libretto di manutenzione al fine di mantenere la garanzia di 5 anni.



## 9 COMPONENTI DI CONSUMO

Al momento dell'ordine di parti di ricambio, verificare con il tecnico autorizzato di quale parte si tratta in base al catalogo delle parti di ricambio emesso dal fabbricante.

Precisare sempre il codice della macchina indicato sulla targa segnaletica.

Il vostro agente effettua gli ordini presso JAC.

### 9.1 Elenco dei COMPONENTI DI CONSUMO

CODICE ARTICOLO	VERSIONE	MODELLO
6110002	COLTELLO JAC 10MM/0,5MM	TUTTE
5740162	BIELLETTE DEL TELAIO CON CUSCINETTI	TUTTE
5315013	MOLLA A GAS 40N	TUTTE
5310019	MOLLA PATTINO PREMIPANE	TUTTE
7240031	CINGHIA	TUTTE

## 10 INCIDENTI DI FUNZIONAMENTO

Problema	Verifica
<b>La macchina non funziona</b>	Collegare la macchina con un cavo (fig.2 n°18).
	Sbloccare l'arresto d'emergenza (fig.1 n°10).
	Rivolgersi al proprio tecnico autorizzato se la spia verde lampeggia.
	Chiudere la porta anteriore.
<b>La macchina funziona, ma le forme di pane sono danneggiate o tagliate in modo irregolare</b>	Verificare se occorre sostituire le lame (§8.3).
	Lasciar raffreddare la forma di pane per alcune ore.
	Introdurre una forma di dimensioni accettate.
	Introdurre una forma molto soda.
	Se le lame sono disallineate, regolare le lame e i telai.
<b>Il pane vibra tra le lame</b>	Se le lame sono disallineate, regolare le lame e i telai.
<b>Il pane si taglia troppo lentamente</b>	Verificare se occorre sostituire le lame (§8.3).
<b>Il pane si strappa</b>	Se le lame sono disallineate, regolare le lame e i telai.
	Verificare se occorre sostituire le lame (§8.3).
	Rivolgersi al proprio tecnico autorizzato se la spia verde lampeggia.
<b>Il pane esce molto lentamente o rimane tra le lame</b>	Verificare che la leva spingi ultimo pane sia ben azionata.
<b>Il pane è schiacciato all'uscita dalle lame</b>	Verificare che la leva spingi pane posteriore sia ben azionata

**ATTENZIONE:** Per ogni intervento, la macchina deve obbligatoriamente essere scollegata dall'alimentazione.



Se il problema persiste, contattare il proprio tecnico.

---

## 11 ELENCO DEI COMPONENTI INDICATI NELLE FIGURE

---

Figura	Bolla	Nome
1	1	Rampa di carico
	2	Protezione della rampa di carico
	3	Insacchettatrice
	4	Pannello di comando
	5	Cuffia
	6	Premipane
	7	Ripiano d'uscita
	8	Guida del ripiano d'uscita
	9	Porta anteriore
	10	Rotelle frenanti
	11	Guida della rampa di carico
	12	Leva dello spingipane
	13	Rotelle della cuffia
	14	Rotella di regolazione del premipane
	15	Cassetto raccogli-briciole
2	16	Lamiera di chiusura posteriore superiore
	17	Lamiera di chiusura posteriore inferiore
	18	Cavo di alimentazione
	19	Spingipane
3	20	Zona di lavoro
4	21	Pulsante soffiatrice (opzionale)
	22	Pulsante di avvio
	23	Pulsante di arresto
	24	Pulsante di arresto d'emergenza
7	25	Soffiatrice-insacchettatrice
10	26	Segnaletica "rischio di folgorazione"
	27	Segnaletica "rischio di taglio"
	28	Segnaletica "contatto meccanico"
	29	Schema elettrico
11	30	Riscontro regolabile

84.....	قبل التشغيل.....	1
84.....	الضمان.....	2
85.....	تسيهات.....	3
86.....	المواصفات الفنية.....	4
86.....	المواصفات الفنية.....	4.1
86.....	تفاصيل الخامات الملامسة للخيز.....	4.2
86.....	الوكيب والتشغيل.....	5
86.....	فك تغليف الآلة:.....	5.1
87.....	الموضع:.....	5.2
87.....	التوصيل الكهربى:.....	5.3
88.....	التشغيل:.....	5.4
88.....	خطر:.....	5.5
88.....	جهاز التحكم والامان.....	6
88.....	جهاز التحكم:.....	6.1
88.....	منطقة عمل:.....	6.2
88.....	أجهزة الأمان:.....	6.3
89.....	الاستخدام.....	7
89.....	الصيانة.....	8
89.....	يومية بواسطة مستخدم مُدرب.....	8.1
89.....	كل 25000 مرة تقطيع للخيز و/ أو مرة واحدة على الأقل كل عام بواسطة وكيل معتمد.....	8.2
90.....	تغيير الشفرات.....	8.3
91.....	قطع المستهلكات.....	9
91.....	قائمة بالمستهلكات.....	9.1
92.....	الاحداث العارضة أثناء التشغيل.....	10
93.....	قائمة بالمكونات الموجودة في الاشكال.....	11

## 1 قبل التشغيل

نشكركم لاختياركم حلول JAC. تأكد من قراءة دليل الاستخدام هذا قبل تركيب وتشغيل هذه الآلة. يمكنك أن تحمي نفسك وتجنب هكذا أن تتلف الآلة.

يشير هذا الدليل إلى أشكال مختلفة من أجل تسهيل فهم التعليمات. هذه الأشكال موجودة في نهاية الدليل. يُرجى الرجوع إليها ما إن ترى الرموز التالية (شكل كذا، ورقم كذا).

من أجل أن تكون راضياً تماماً عن أداء هذه الآلة خلال السنوات القادمة، ندعوك إلى الاطلاع على النصائح التالية:

- استعن بوكيل معتمد من أجل التركيب والتشغيل والمتابعة.

- من أجل الاستفادة من الضمان ومدته 5 سنوات (انظر الشروط المذكورة بعد)، قم بواسطة الموزع، باستكمال دفتر الصيانة أثناء تركيب الآلة. يوجد دفتر الصيانة خلف الآلة.

## 2 الضمان

تقدم شركة JAC ضماناً على كل منتجاتها مدته 5 سنوات.



يسري هذا الضمان على كل قطع المعدة، بما فيها القطع الإلكترونية، دون المستهلكات. يسري الضمان من تاريخ تركيب المعدة.

بحسب الشروط المقيدة التالية:

- تم شراء المعدة من موزع معتمد؛
- تم التركيب بمعرفة وكيل معتمد؛
- استخدام المعدة وفقاً لتعليمات دليل الاستخدام وفي الغرض الذي صنعت من أجله؛
- يتم صيانة المعدة يومياً وفقاً لإرشادات دليل الاستخدام؛
- يتابع الصيانة الوكيل المعتمد وفقاً لشروط الصيانة، مع إجراء الصيانة مرة في العام، على الأقل (الصيانة على حساب المستخدم).
- الاستخدام الحصري لقطع الغيار الأصلية من JAC.

إذا لم توجد صيانة من وكيل معتمد و/أو أن دفتر الصيانة غير مكتمل بشكل صحيح، تقتصر فترة الضمان على عام واحدة.



علماً بأن الضمان لا يشمل:

- استبدال المستهلكات (فقرة 9)؛
- قطع الغيار التي لم يفر قسم الخدمة الفنية بأنها تالفة؛
- المشكلات الناجمة عن الاستخدام غير السليم للمعدة؛
- المشكلات الناجمة عن تركيب لم يتم بمعرفة وكيل معتمد؛
- قطع الغيار أو المشكلات الناجمة عن تلف أثناء النقل أو المناولة غير المناسبة.

ليس من شأن الإصلاح و/أو الاستبدال لقطع الغيار التالفة الذي يتم خلال مدة الضمان أن يمدد هذا الضمان.

من المهم جدًا حفظ دليل الاستخدام هذا مع الجهاز للاطلاع عليه في المستقبل. إذا كان سيتم بيع أو نقل هذا الجهاز إلى شخص آخر، فتأكد أن يتم إعطاء دليل الاستخدام هذا بحيث يستطيع المستخدم معرفة تشغيله والتبييات المتعلقة به.



تم إعطاء هذه التبييات حرصًا على سلامتك وعلى سلامة الآخرين. الرجاء قراءتها بانتباه قبل تركيب واستخدام الجهاز.  
تم تصميم هذه الآلة لكي يستخدمها أشخاص بالغون مسموح لهم باستخدامها. يرجى ألا يلصقها الأطفال أو أن يستخدموها كلعبة.  
هذه الآلة مخصصة حصريًا للاستخدام المهني.

من الخطر تعديل أو محاولة تعديل مواصفات هذه الآلة.

بعد تركيب الآلة، تأكد أنها لا تستند إلى كابل كهرباء.

اتبع التعليمات المعطاة من أجل الاستخدام.

يجب تخزين واستخدام هذه الآلة داخل مكان بعيد عن الرطوبة والحرارة.

يجب أن يكون هناك إضاءة كافية لهذه الآلة للقيام بالعمل.

مستوى صوت هذه الآلة أقل من 75 ديسيبل وفقًا للمعيار EN ISO 3744.

يجب أن يستخدم هذه الآلة شخص واحد في الوقت الواحد (ما لم يوجد تعليمات مخالفة).

هذه الآلة مخصصة لتقطيع الخبز الناضج والمعتدل الحرارة.

هذه الآلة غير مخصصة لأنواع الخبز والخامات التالية:

- الخبز الساخن، والخبز البانت
- الخبز المجمد، أو الذي تم إزالة تجميده جزئيًا
- الخبز الكامل بقشرة صلبة وأنواع أخرى من الخبز ذي القشرة الصلبة
- خبز الجاودار
- منتجات غير غذائية مثل الخشب والبلاستيك والخامات الشبيهة
- أي طعام لا ينتمي إلى فئة الخبز أو الكعك

يمكن أن تتلف الآلة أثناء قطع الخبز أو الخامات غير المصرح بها.



أفضل دائمًا التيار الكهربائي قبل القيام بالتنظيف الداخلي/الخارجي للجهاز وقبل عمليات الصيانة.



هذا الجهاز ثقيل الوزن. اتخذ كل احتياطات الأمان أثناء منولته.

## 4 المواصفات الفنية

### 4.1 المواصفات الفنية

Chute	
1834	الارتفاع (مم)
654	العرض (مم)
907	العمق (مم)
440	عرض قناة الإدخال (مم)
140	ارتفاع قناة الإدخال (مم)
1900 × 860 × 800	الحجم (مم)
230	الوزن الصافي (كجم)
250	الوزن الصافي + عبوة التغليف (كجم)
0.49	قوة الموتور (كيلو واط)
أحادي الطور أو ثلاثي الأطوار (1 فازة أو 3 فازة)	نوع المحرك
5	220 فولت - 50 هرتز (A)
3.2	380 فولت - 50 هرتز (A)
500 > 200	سعة (الخيز/ساعة)
75 >	المستوى الصوتي (ديسيبل)

اختياري	موتور مقوى
اختياري	نافخ مكبس
اختياري	سكاكين خاصة

### 4.2 تفاصيل الخامات الملامسة للخيز.

- مزلفة تحميل: فولاذ مقاوم للصدأ 430
- دفع آخر قطعة خيز: فولاذ مقاوم للصدأ 430
- مكبس خيز فولاذ مقاوم للصدأ 430
- الشفرات: الصلب
- منضدة إخراج: فولاذ مقاوم للصدأ 430

## 5 التركيب والتشغيل

### 5.1 فك تغليف الآلة:

تُباع الآلات، عند خروجها من ورشنا، على ألواح، ومربوطة بأشرطة ومحمية بورق الكرتون. قبل القيام بأي شيء، يجب فحص العبوة وإبلاغ شركة التوصيل مباشرة بأي تلف ناتج عن النقل.

- اسحب الكرتونة وكذلك كيس تغليف الآلة.
- انزع الأشرطة مع الانتباه بشكل خاص إلى ارتخاء هذه الأخيرة أثناء قطعها.
- افل الجهاز عن الألواح بأن تنزع الشرائح الخشبية التي تعرقل حركة العجلات.



D. أنزل الآلة عن اللوح. احرص على أن يقوم شخصان على الأقل بهذا الأمر من أجل تخفيف التلامس مع الأرض بشكل أفضل

E. يُرجى تركيب المصد القابل للضبط لجهاز التكييس على جهاز التكييس (fig.11, n°30) (LCS)

بعد إخراج الآلة من الكرتون، تحقق أنها لم تتعرض للتلف أثناء النقل. وأبلغنا بأي عطب.

## 5.2 الموضوع:

للحصول على أداء ممتاز وفعالية على المدى الطويل، اختر موضعًا:

جيد التهوية، وبعيدًا عن أشعة الشمس المباشرة وبعيدًا عن مصادر الحرارة مع سطح مستوي وقوي وخالي من الاهتزازات.

## 5.3 التوصيل الكهربى:

هام: توصيل الطرف الأرضي الزامي.

يُنصح بحماية التمديدات الكهربائية بمنصهر وقاطع تيار تفاضلي.

يجب حماية التمديدات الكهربائية التي تُغذي الآلة كما هو مُبين أدناه:

- أمريكا الشمالية: حماية 15 أمبير؛

بقية دول العالم: حماية 16 أمبير.

بالنسبة للآلات المجهزة بغير كهربائي، يجب توصيله على غلبة التفريغ على خط مجهز بقاطع تيار تفاضلي 300 ملي أمبير.

ملحوظة: أي مشكلة ناجمة عن التوصيل بشكل آخر لن يشملها الضمان.

قبل توصيل الآلة على شبكة الكهرباء ومن أجل تجنب وقف تشغيل الموتور عند توصيله بالكهرباء، من المهم التحقق من توافق شبكة الكهرباء مع مواصفات الآلة (انظر لوحة البيانات لهذه الآلة).

يتوافق هذا الجهاز مع التعليمات الخاصة بالآلات 42/2006 و 95/2006 و 108/2004 ويحمل علامة CE التي تشهد بذلك.

يرجى الاطلاع على الصور التوضيحية المتعلقة بالأمان الموجودة على الآلة:

صورة توضيحية تُشير إلى خطر حدوث جرح. سوف تجدها في مقدمة الآلة حول منطقة وضع الخبز. (fig.10, n°27)



صورة توضيحية تُشير إلى خطر الصعق بالكهرباء. يُرجى فصل الكهرباء عن الآلة قبل أي إصلاح لها. سوف تجدها خلف الآلة بالقرب من كابل التغذية وداخل الآلة على الصندوق الكهربى. (fig.10, n°26)



صورة توضيحية تُشير إلى خطر التلامس مع الأجزاء الميكانيكية المتحركة. سوف تجدها على الباب الأمامي. (fig.10, n°28)



سوف تجد الرسم التخطيطي الكهربى للآلة على ظهر باب الصندوق الكهربى. (fig.10, n°29)

## 5.4 التشغيل:

قبل التشغيل، تأكد من عدم وجود أي شيء دخيل على الأجزاء المتحركة للآلة.  
لاستخدام الآلة، راجع فصل "الاستخدام".

## 5.5 خطر:

في حالة وجود خطر على المستخدم أو على الآلة، يجب عليك أن تستخدم مفتاح القطع العمومي لفصل التيار الكهربائي عن الآلة. (fig4, n°24)

اسحب القابض من المقبس الكهربائي قبل القيام بأي عملية صيانة وفحص؛  
لا تلمس الشفرات، حتى أثناء التوقف. (fig.2, n°18)

عند تغيير الشفرات، اطلب من الموزع المعتمد أن يقوم هو بالعملية.

احرص على ارتداء قفازات حماية من الجروح أثناء استبدال الشفرات أو أثناء القيام بعملية قريبة من الشفرات.

أي عملية صيانة أو استبدال قطعة غيار يجب أن تتم بواسطة شخص مؤهل.

## 6 جهاز التحكم والامان

### 6.1 جهاز التحكم:

ماكينة القطع مزودة بسلسلة من ثلاثة أزرار:  
زر تشغيل (fig.4,n°22)، و زر إيقاف (fig.4,n°23) و زر الإيقاف في حالة الطوارئ (fig.4,n°24)

يمكن تزويدها اختياريًا بالزر الإضافي التالي:  
- تشغيل النافخ (على الآلة المجهزة بنافخ) (fig.4,n°21)

### 6.2 منطقة عمل:

توجد منطقة العمل أمام الآلة (fig.3 n°20)

### 6.3 أجهزة الامان:

هذه الآلة مجهزة بـ:

زر إيقاف في حالة الطوارئ الذي يوقف الآلة عندما نضغط عليه. (fig.4,n°24)



من أجل الاستعمال، يجب قفل العجلات الصغيرة المزودة بفرملة. (fig.1,n°10)

في بداية اليوم، وصل الآلة بالكهرباء باستخدام زر الإيقاف في حالة الطوارئ (fig.4,n°24)

إجراء الاستخدام (fig.5,6)

- G. اضبط أدلة مزلفة التحميل واضبط دليل أو أدلة منضدة الإخراج باستخدام التروس من أجل ضبطها على ارتفاع الخبز المراد تقطيعه.
- H. اضبط مكبس الخبز باستخدام الترس الموجود على يمين الآلة من أجل ضبطه على ارتفاع الخبز المراد تقطيعه.
- I. قم بتحميل الخبز على مزلفة التحميل
- J. اضغط على زر الأخضر من أجل تشغيل الآلة، الجاذبية الأرضية ووزن أرغفة الخبز الموضوعه مزلفة التحميل سوف تدفع أرغفة الخبز في الشفرات وهكذا يتم قطعها.
- K. عندما تدخل قطعة الخبز الأخيرة إلى الشفرات، شغل رافعة دفع قطعة الخبز الأخيرة لجعلها تخرج من الشفرات وهكذا يتم استعادتها مقطعة.
- L. خذ الخبز من على منضدة الإخراج

اختياري: لتشغيل النافخ، اضغط على زر الأبيض (fig.7)

في نهاية اليوم، اضغط على زر الإيقاف في حالة الطوارئ الأحمر (fig.4,n°24) لفصل التيار عن الآلة.

نصيحة: بعد الأيام الأولى من التشغيل، افحص شد الشفرات بواسطة شخص مؤهل.

السعة: عدد قطع الخبز المقطعة في الساعة: 500 (وفقاً لنوع الخبز).  
مقاسات قطعة الخبز (عرض × ارتفاع) (سم): حد أدنى 22 × 6 - حد أقصى 44 × 14

## 8 الصيانة

### 8.1 يومية بواسطة مستخدم مُدرّب

- A. تحقق إذا كان يجب عليك تفريغ وعاء الفتات
- B. قم بتنظيف المنضدة والمزلفة باستخدام فرشاة
- C. استخدم قطعة قماش جافة للتنظيف من الداخل
- D. بالنسبة للعناية الخارجية، استخدم قطعة قماش رطبة

### 8.2 كل 25000 مرة تقطيع للخبز و/ أو مرة واحدة على الأقل كل عام بواسطة وكيل معتمد.

- A. اسحب القابس من مقيس الكهرباء (fig.1,n°10)
- B. تحقق من حالة شفرات القطع.
- C. إذا لاحظت انخفاض جودة القطع، فيجب القيام باستبدال شفرات القطع (الرقم المسلسل لدى شركة 6100012 JAC: من كتالوج قطع الغيار (JAC))
- D. إذا كان لا بد من تغييرها، فاستبدل الشفرات وفقاً لإجراء تغيير شفرات القطع (فقرة 8.3)
- E. **ملحوظة:** لا تشد الشفرات زيادة عن اللازم، لوجود خطر تشويه الإطار.
- F. قم بالتنظيف باستخدام فرشاة واشطف ما بداخل الآلة.
- G. تحقق من حالة رولمان البلي، ثم قم بتنشيمها بعد ذلك.
- H. قم بتنشيم مفصلات أسطوانة الباب.

تأكد من أن الوكيل المعتمد يقوم بتسجيل زيارته في دفتر الصيانة من أجل الحفاظ على ضمان الـ 5 سنوات.

### 8.3 تغيير الشفرات.

(fig.8,9)

احرص دائماً على ارتداء قفازات حماية من الجروح (معيار EN 388: 2003 مؤشر B=5) وأحذية أمان أثناء استبدال الشفرات أو أثناء عملية قريبة من الشفرات.  
بعد التأكد من أن قابس الآلة مفصول بالفعل عن التيار (fig.1, n°10)

- A. قم بفك البراغي الستة التي تُثبت الصاح الخلفي العلوي
- B. قم بفك الصامولتين اللتين تثبتان مشبك المنضدة تحت مزلفة التحميل من داخل الآلة
- C. قم بفك البراغي الأربعة التي تثبت واقي المزلفة وانزع واقي المزلفة
- D. قم بفك البرغيين السداسيين والترسين اللذين يثبتان الغطاء وكذلك جهاز التكييس
- E. افتح الغطاء و قم بفك البراغي الثلاثة السداسية التي تُثبت المنضدة الأمامية
- F. اسحب المنضدة الأمامية
- G. قم بفك البرغي A الذي يُثبت ذراع توصيل الإطار الأمامي.
- H. قم بإزالة الإطار نحو الأمام. استبدل شفرات الإطار الخلفي (ضع ما من شأنه الحماية على شفرات الإطار الأمامي). قم بفك البراغي B السداسية المجوفة التي تشد الشفرات. استبدل الشفرات مع مراقبة أن تكون موضوعة جيداً في ظفر الأذرع المتأرجحة. أعد شد الشفرات بأن تشد البراغي B، وتكون الشفرات التي ظلت في الإطار هي بمثابة دليل للشد.

من أجل عدم تشويه الإطار وعدم المخاطرة بتكسير خطير، لا تستبدل إلا 1 إلى 3 شفرات في المرة الواحدة مع التناوب من اليسار إلى اليمين.

كرر الإجراء من النقطة ح (H) بالنسبة للإطار الأمامي وأعد تركيب الإطار الأمامي وكذلك عناصر الهيكل. عند إعادة التركيب، تحقق جيداً من تمرير المنضدة الأمامية تحت المنضدة الخلفية من ناحية الشفرات.

قم بتوصيل الآلة بالتيار الكهربائي، فتكون الآلة جاهزة.

تأكد من أن الوكيل المعتمد يقوم بتسجيل زيارته في دفتر الصيانة من أجل الحفاظ على ضمان الـ 5 سنوات.

أثناء طلب قطعة غيار، تأكد مع الوكيل المعتمد بشأن القطعة المطلوبة على أساس كتالوج قطع الغيار الذي أصدره الصانع. حدد دائماً رقم الآلة كما هو مبين على لوحة البيانات. ويقوم الوكيل بعمل الطلبات لدى شركة JAC.

### 9.1 قائمة بالمستهلكات

النموذج	التوصيف الجدي	رمز الصنف
ALL	JAC KNIFE, 10 MM/0.5 MM	6110002
ALL	FRAME LINK WITH BEARINGS	5740162
ALL	GAS SPRING, 40 N	5315013
ALL	LOAF HOLDER SPRING	5310019
ALL	BELT	7240031

التحقق	المشكلة
قم بتوصيل الآلة باستخدام الكابل (fig.2 n°18)	الآلة لا تدور
قم بفتح زر الإيقاف في حالة الطوارئ (fig.1 n°10)	
اتصل بالوكيل المعتمد إذا كان الضوء الأخضر يومض.	
أغلق الباب الأمامي	
تحقق إذا كان يجب استبدال الشفرات (فقرة 3.8)	الآلة تعمل، لكن الخبز تالف أو مقطع بطريقة غير متساوية
اترك الخبز يبرد لعدة ساعات	
ضع الخبز بالمقاسات المقبولة	
ضع خبزًا ناشفًا إلى حد ما	
إذا كانت الشفرات غير متساوية، فاضبط الشفرات والإطارات	الخبز يهتز في الشفرات
إذا كانت الشفرات غير متساوية، فاضبط الشفرات والإطارات	الخبز ينقطع ببطء شديد
تحقق إذا كان يجب استبدال الشفرات (فقرة 3.8)	الخبز يتمزق
إذا كانت الشفرات غير متساوية، فاضبط الشفرات والإطارات	
تحقق إذا كان يجب استبدال الشفرات (فقرة 3.8)	
اتصل بالوكيل المعتمد إذا كان الضوء الأخضر يومض.	
تحقق أن رافعة دفع قطعة الخبز الأخيرة تعمل جيدًا	الخبز يخرج ببطء شديد أو يظل في الشفرات
تحقق أن رافعة دفع قطعة الخبز الأخيرة تعمل جيدًا	الخبز منسحق عند خروجه من الشفرات

انتبه: قبل القيام بأي إصلاحات، يجب فصل التيار عن الآلة.

إذا استمرت المشكلة بعد ذلك، فيرجى الاتصال بالفني.



الاسم	الرقم	شكل
رصيف تحميل	1	1
واقي مزلقة التحميل	2	
جهاز التكييس	3	
لوحة التحكم	4	
الغطاء	5	
مكبس خبز	6	
منضدة إخراج	7	
دليل منضدة الإخراج	8	
باب أمامي	9	
عجلات صغيرة معرقله	10	
دليل مزلقة التحميل	11	
رافعة دفع قطعة الخبز الأخيرة	12	
تروس الغطاء	13	
ترس ضبط مكبس الخبز	14	
وعاء فتات الخبز	15	
صاح الغلق الخلفي العلوي	16	
صاح الغلق الخلفي السفلي	17	
كابل الكهرباء	18	
دفع قطع الخبز	19	3
منطقة عمل	20	
زر النافخ (اختياري)	21	4
زر التشغيل	22	
زر الإيقاف	23	
زر الإيقاف في حالة الطوارئ	24	
نافخ مكبس	25	7
صورة توضيحية "خطر الصعق بالكهرباء"	26	10
صورة توضيحية "خطر حدوث جرح"	27	
صورة توضيحية "تلامس مع أجزاء ميكانيكية"	28	
رسم تخطيطي كهربوي	29	
مصد قابل للضبط	30	11

fig.1

LCS - LCL

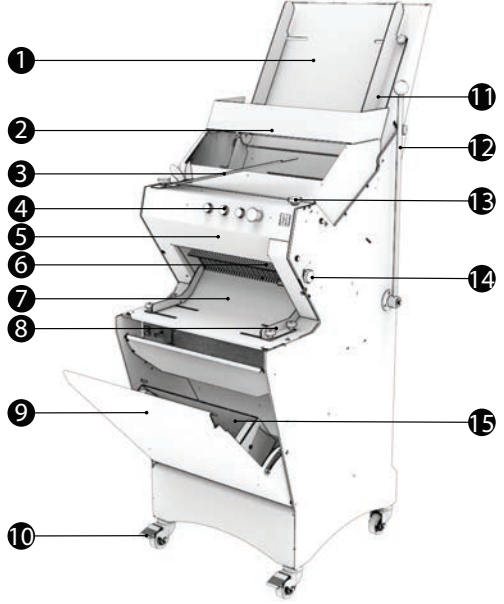


fig.2

LCS - LCL

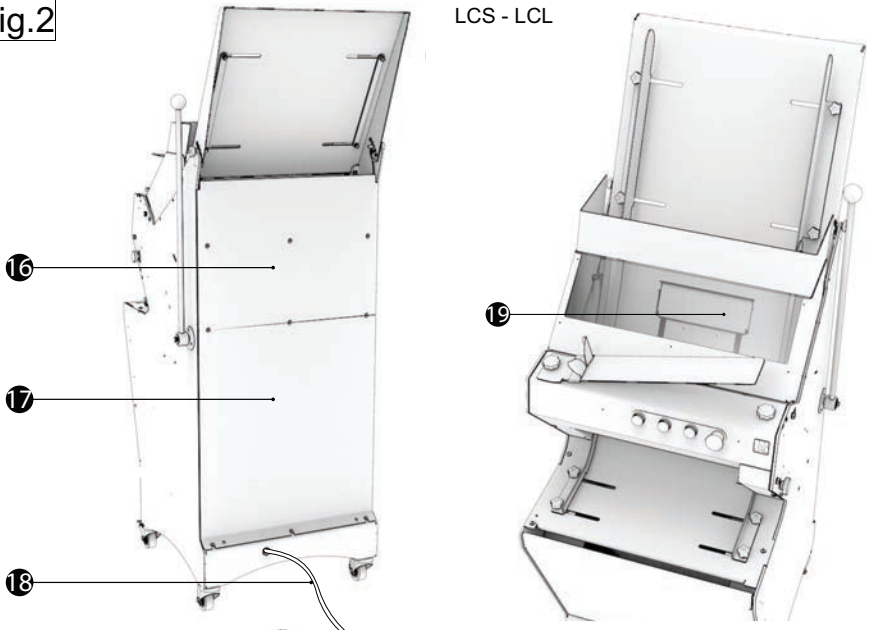


fig.3

LCS - LCL

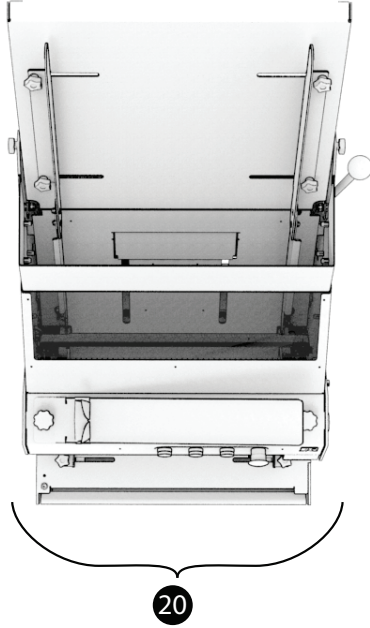


fig.4

LCS - LCL

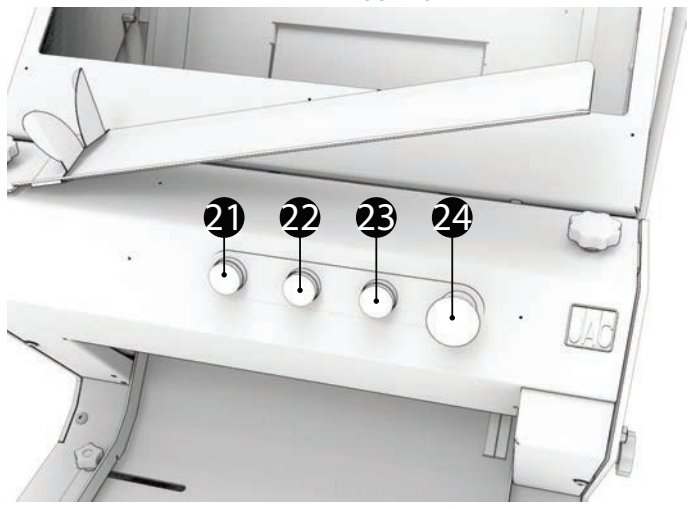


fig.5

LCS - LCL

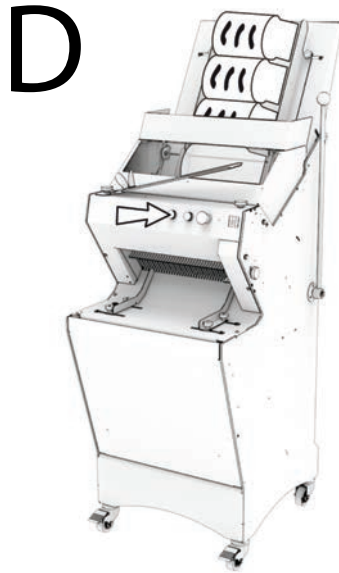
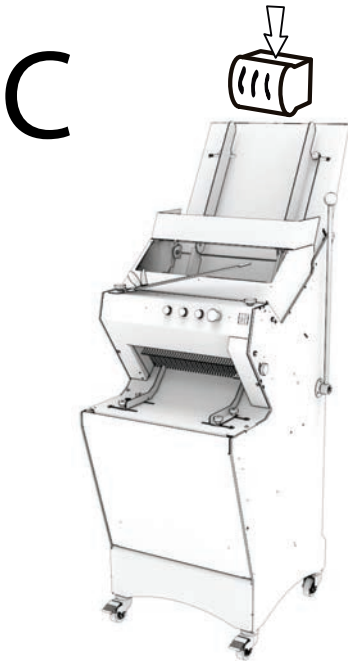
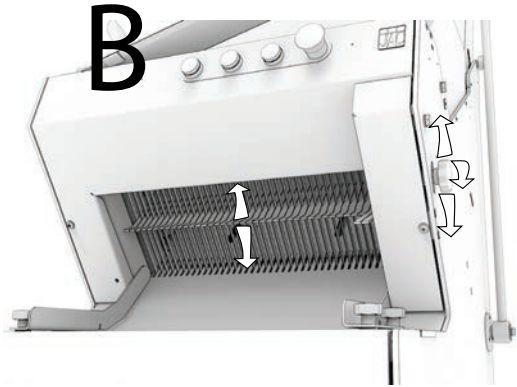
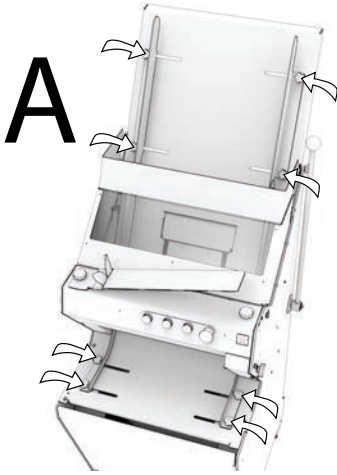
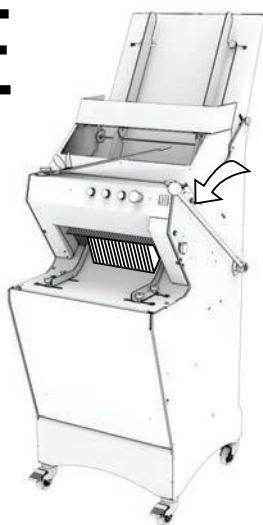




fig.6

LCS - LCL

E



F

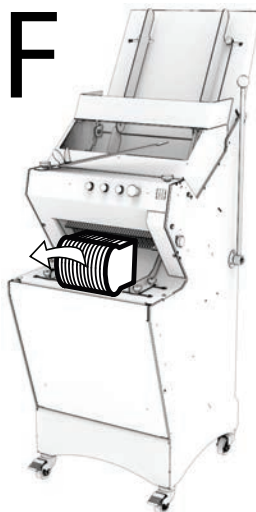


fig.7

LCL



fig.8

LCS - LCL

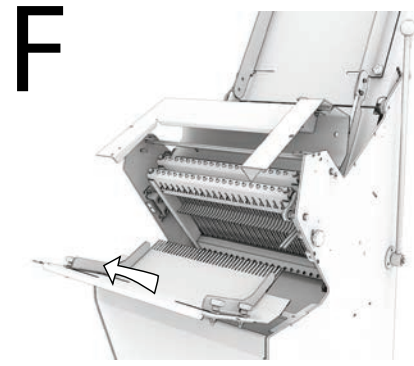
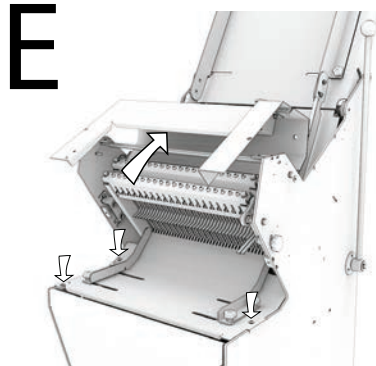
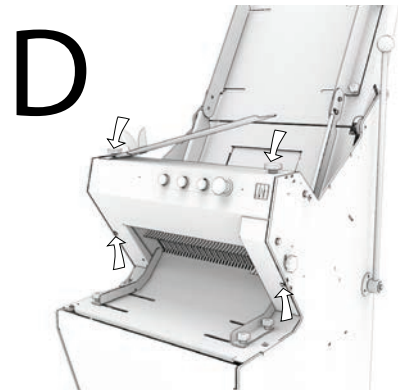
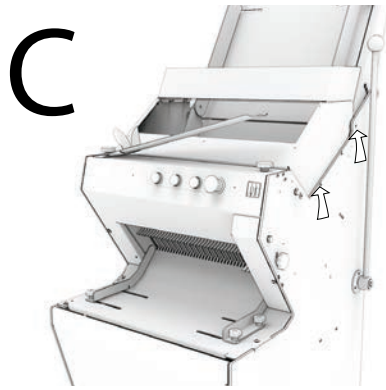
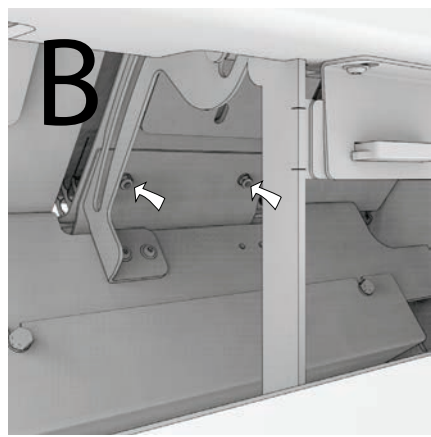
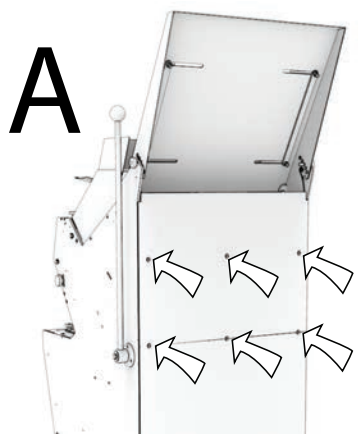


fig.9

LCS - LCL

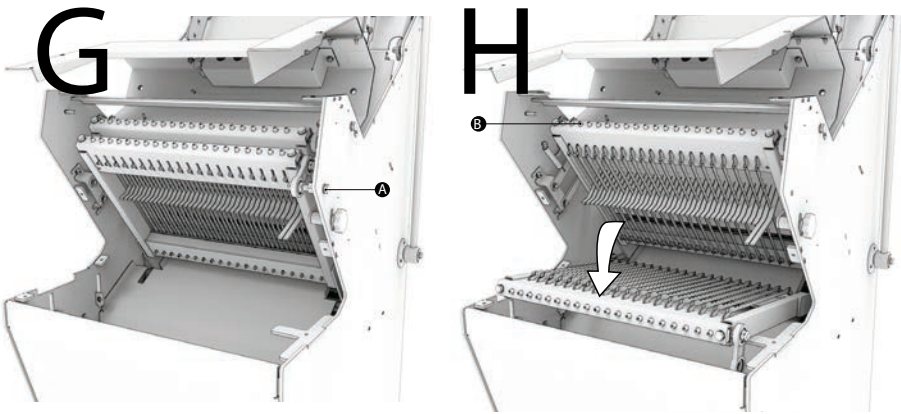


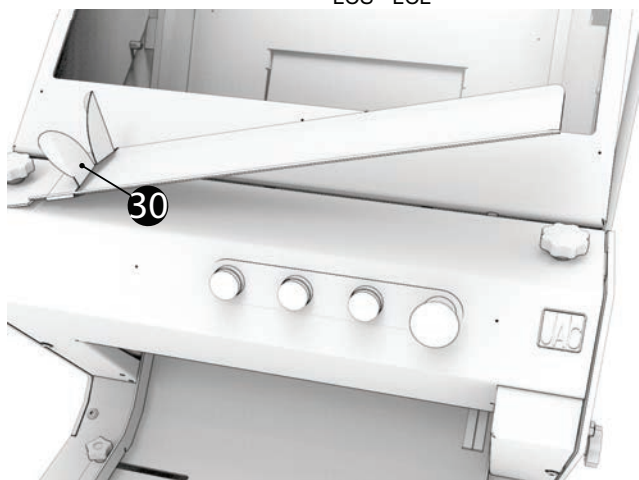
fig.10

LCS - LCL



fig.11

LCS - LCL







Traditionally Innovative

CONFORMITY DECLARATION TO THE EUROPEAN DIRECTIVES.  
DECLARATION DE CONFORMITE AUX DIRECTIVES EUROPEENNES.  
KONFORMITÄTSEKTLÄRUNG AN DEN EUROPÄISCHEN RICHTLINIEN.  
VERKLARING VAN OVEREENSTEMMING MET DE EUROPESE RICHTLIJNEN.  
DICHIARAZIONE DI CONFORMITÀ ALLE DIRETTIVE EUROPEE.  
DECLARACION DE CONFORMIDAD CON LAS DIRECTIVAS EUROPEAS.  
ДЕКЛАРАЦИЯ СООТВЕТСТВИЯ ЕВРОПЕЙСКИМ ДИРЕКТИВАМ.  
شهادة المطابقة مع التعليمات الأوروبية.



- EN** The undersigned declares that the machine complies with the European Directives 2006/42/CE, 2014/35/UE, 2014/30/UE.
- FR** Le soussigné déclare que cette machine est conforme aux directives européennes 2006/42/CE, 2014/35/UE, 2014/30/UE.
- DE** Unterzeichneter erklärt, daß diese Maschine den Europäischen Richtlinien 2006/42/CE, 2014/35/UE, 2014/30/UE entspricht.
- NL** Ik ondertekende verklaart dat deze machine in overeenstemming met de Europese richtlijnen 2006/42/CE, 2014/35/UE, 2014/30/UE.
- IT** Il sottoscritto dichiara questa macchina conforme alle ultime versioni delle seguenti direttive europee: 2006/42/CE, 2014/35/UE, 2014/30/UE.
- ES** El infrascrito declara que esta máquina es conforme con las directivas europeas 2006/42/CE, 2014/35/UE, 2014/30/UE.
- RU** Нижеподписавшееся лицо заявляет, что данное устройство соответствует европейским директивам 2006/42/CE, 2014/35/UE, 2014/30/UE.
- AR** मैं यहाँ पर CE/2006/42 و UE/2014/35 و UE/2014/30 के साथ मशीन की مطابقتها की घोषणा कर रहा हूँ।

Last update: 05/2018  
Technical files compiled by:  
Pierre-Yves Dorslmont  
JAC S.A.  
Chemin d'Éole, 2  
B-4000 Sclessin  
BELGIUM

Complies with the following (parts of)  
European Harmonised Standards:  
EN 1672-2  
1935/2004  
IEC 60204-1  
EN ISO 12100-1  
EN ISO 12100-2 §5, §6  
EN 13954 if applicable  
EN 61000-3-2, -3, -6-1, -6-3

Adrien Craeninx  
Chief Executive Officer  
JAC s.a.